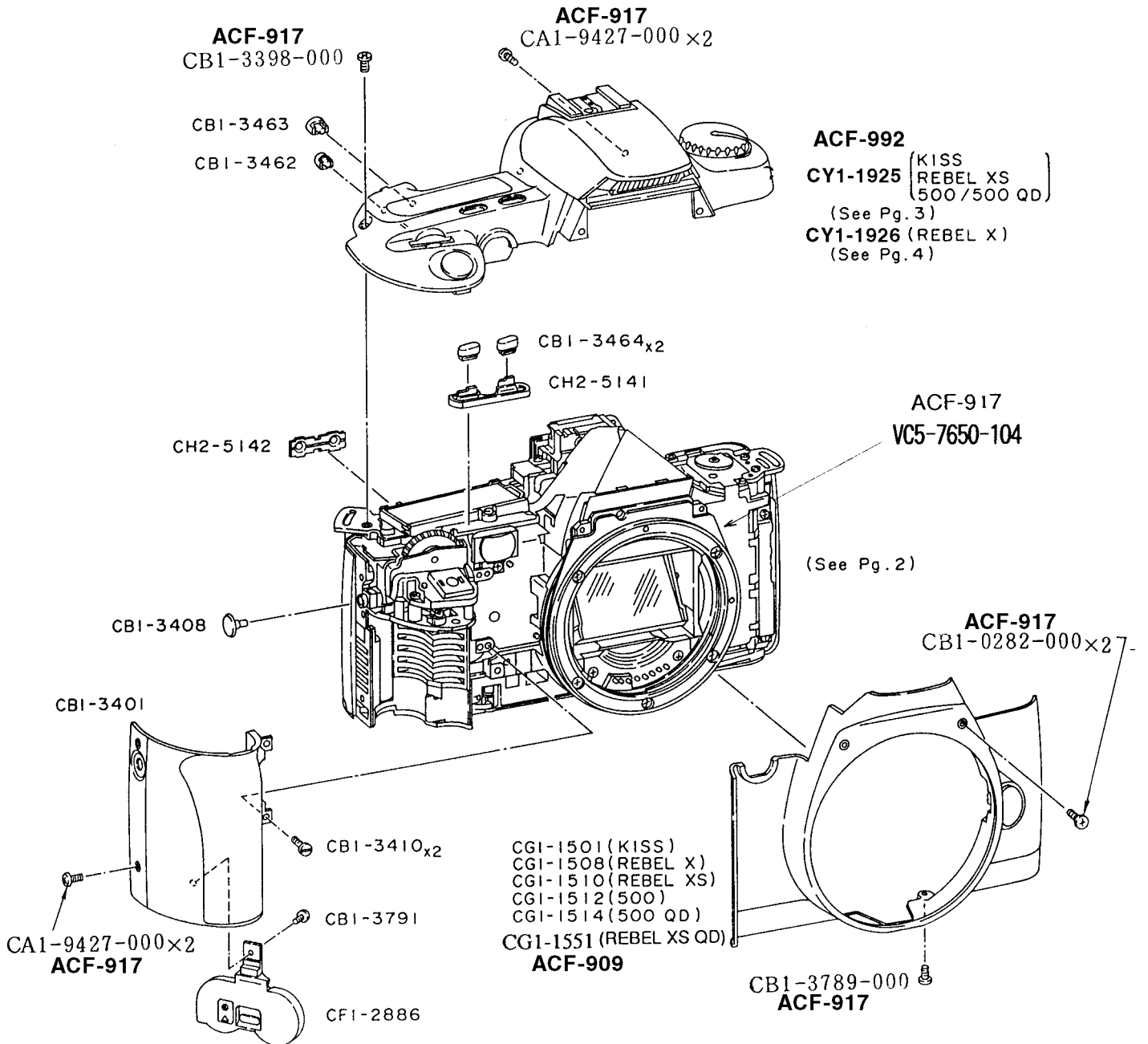


Canon

EOS KISS	REF.NO.C12-8242
REBEL X/XS	C12-8243,4
500/500QD	C12-8247,8
REBEL XSQD	C12-8245

PARTS CATALOG

**CANON EOS KISS
EOS REBEL X/XS
EOS 500/500 QD
EOS REBEL XSQD**



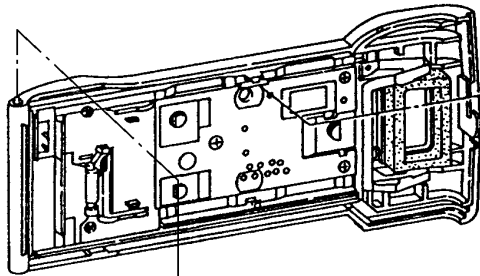
PARTS LIST

REF.No.C128242,
3,4,5,7,8

NEW	PARTS NO.	CLASS	QTY	DESCRIPTION
	CA1-9427-000		4	SCREW,CROSS-RECESS,PH
	CB1-0282-000		2	SCREW,CROSS-RECESS,PH
	CB1-3398-000		1	SCREW,CROSS-RECESS,PH
	CB1-3401-000	D	1	GRIP
	CB1-3408-000	C	1	CAP,REMOTE
	CB1-3410-000		2	SCREW,CROSS-RECESS,PH
	CB1-3462-000	D	2	BUTTON,EXP
	CB1-3463-000	D	1	BUTTON,AE LOCK
	CB1-3464-000	D	2	BUTTON,SELF/FLASH
	CB1-3789-000		1	SCREW,CROSS-RECESS,PH
	CB1-3791-000		1	SCREW,CROSS-RECESS,PH
	CF1-2886-000	D	1	BATTERY COVER ASS'Y
	CG1-1501-000	D	1	FRONT PANEL ASS'Y (KISS)
	CG1-1508-000	D	1	FRONT PANEL ASS'Y (REBEL X)
	CG1-1510-000	D	1	FRONT PANEL ASS'Y (REBEL XS)
	CG1-1512-000	D	1	FRONT PANEL ASS'Y (500)
	CG1-1514-000	D	1	FRONT PANEL ASS'Y (500QD)
	CG1-1551-000	D	1	FRONT PANEL ASS'Y (REBEL XS QD)
	CH2-5141-000	D	1	CONTACT,RUBBER
	CH2-5142-000	D	1	CONTACT,RUBBER
	CY1-1925-000	D	1	TOP COVER ASS'Y (ST)
	CY1-1926-000	D	1	TOP COVER ASS'Y (REBEL X)
	VC5-7650-104	E	1	CAPACITOR,CHIP CERAMIC 0.1 μ F 25V

CANON EOS KISS
EOS REBEL X/XS
EOS 500/500 QD
EOS REBEL XSQD

CG1-1386 (500 QD)
CG1-1504 (KISS)
(See Pg.5)
CG1-1507 (REBEL X/XS)
500
(See Pg.6)



CB1-3788 (ACF-023)

CB1-4757 (ACF-023)

X71-9749

CF1-2888

XA4-9170-407_{x2}

CG1-1397

CBI-3470

XA4-9200-457_{x2}

CBI-3409

CBI-3353

CA1-9427_{x2}

CBI-3367

CF1-2887

CS2-5507-050
ACF-905
CBI-3350

(See Pg.7)

CBI-3889 (KISS ONLY)

CS2-0974

CF1-2889

CS2-0976

CS2-0975_{x2}

(KISS ONLY)

ACF-988
CF1-2934

CBI-3886

XA4-9170-307

ACF-899, ACF-010

CY3-1001

CY3-1002 (KISS)

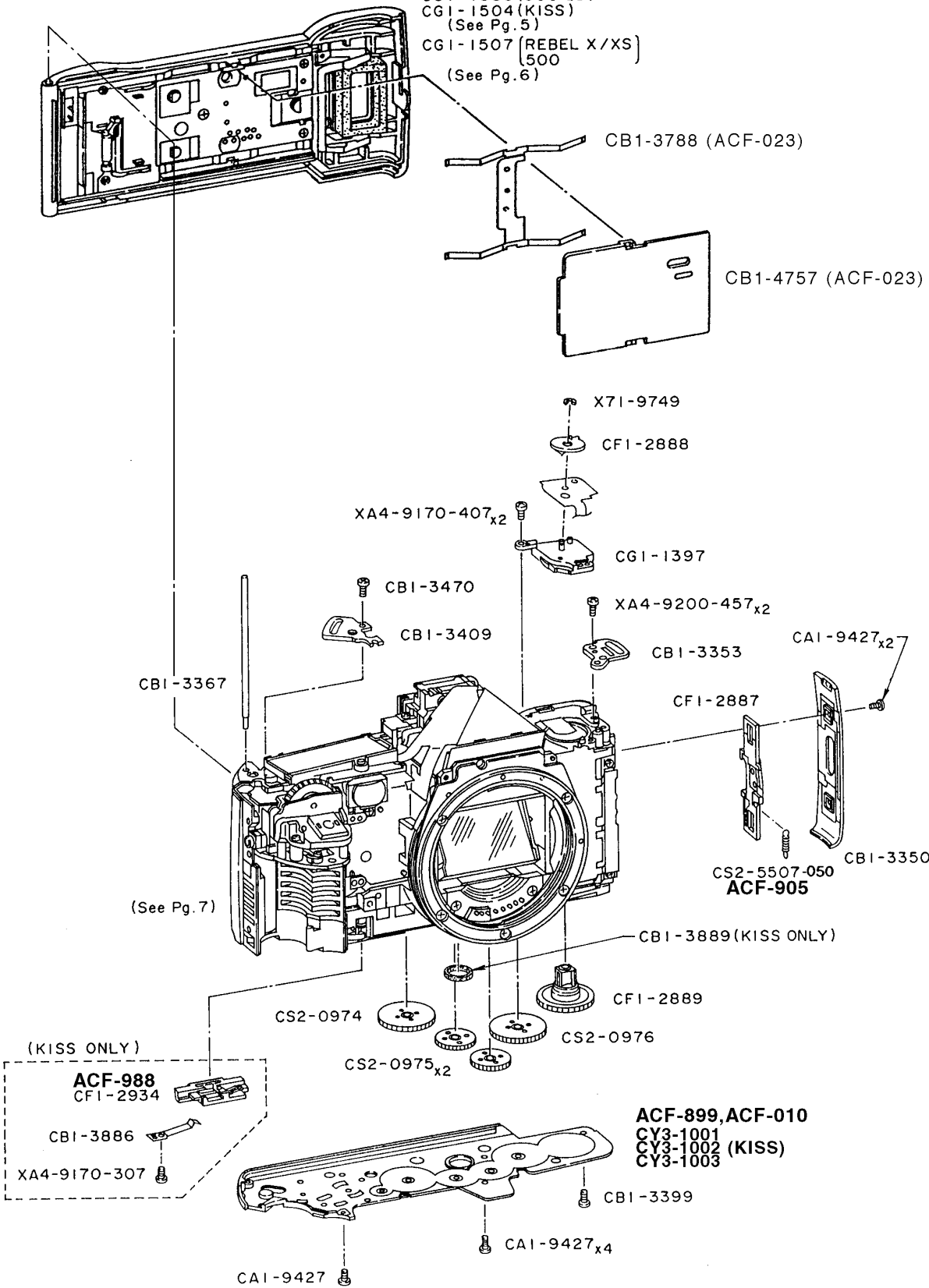
CY3-1003

CBI-3399

CA1-9427

CA1-9427_{x4}

CA1-9427

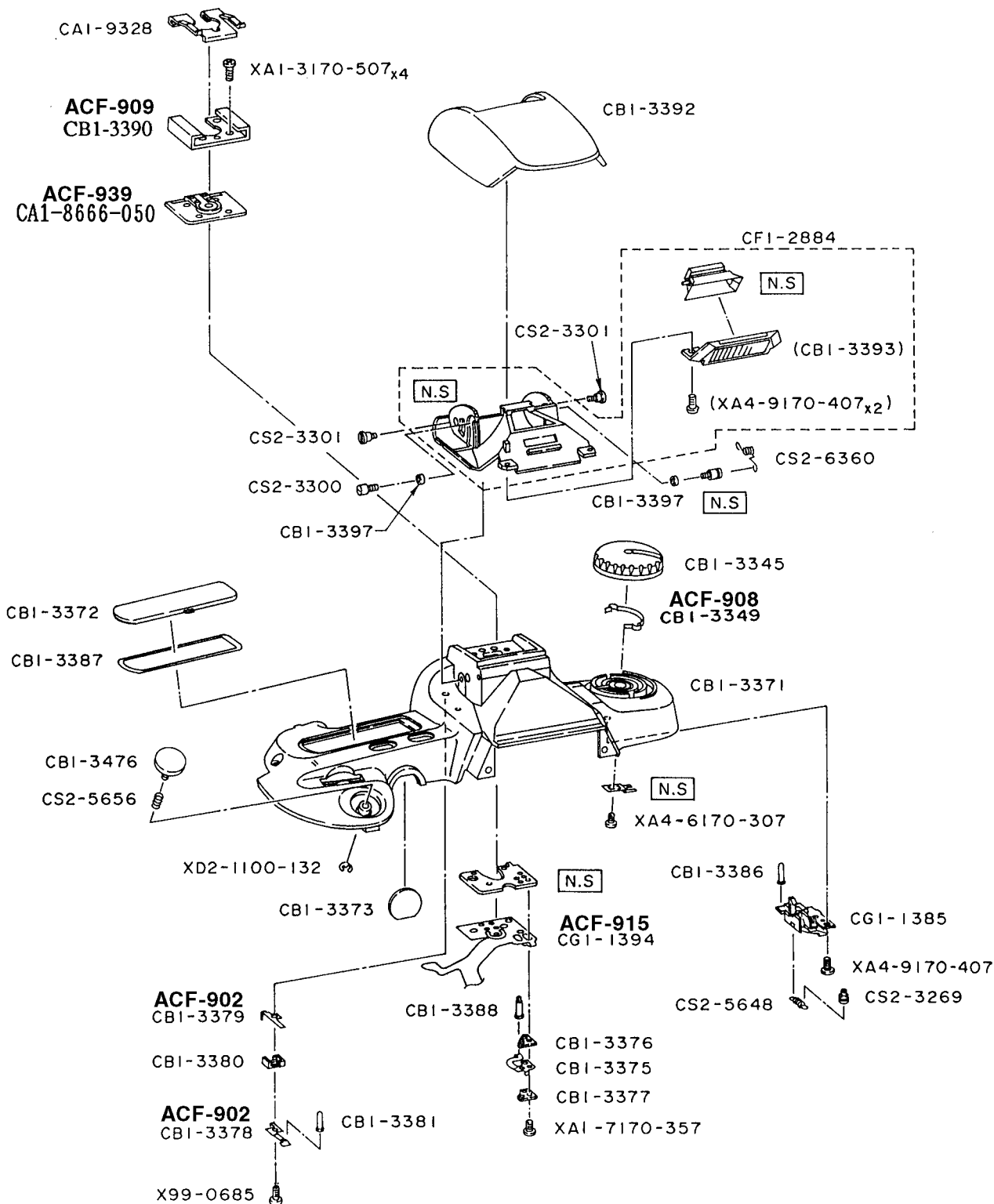


PARTS LIST

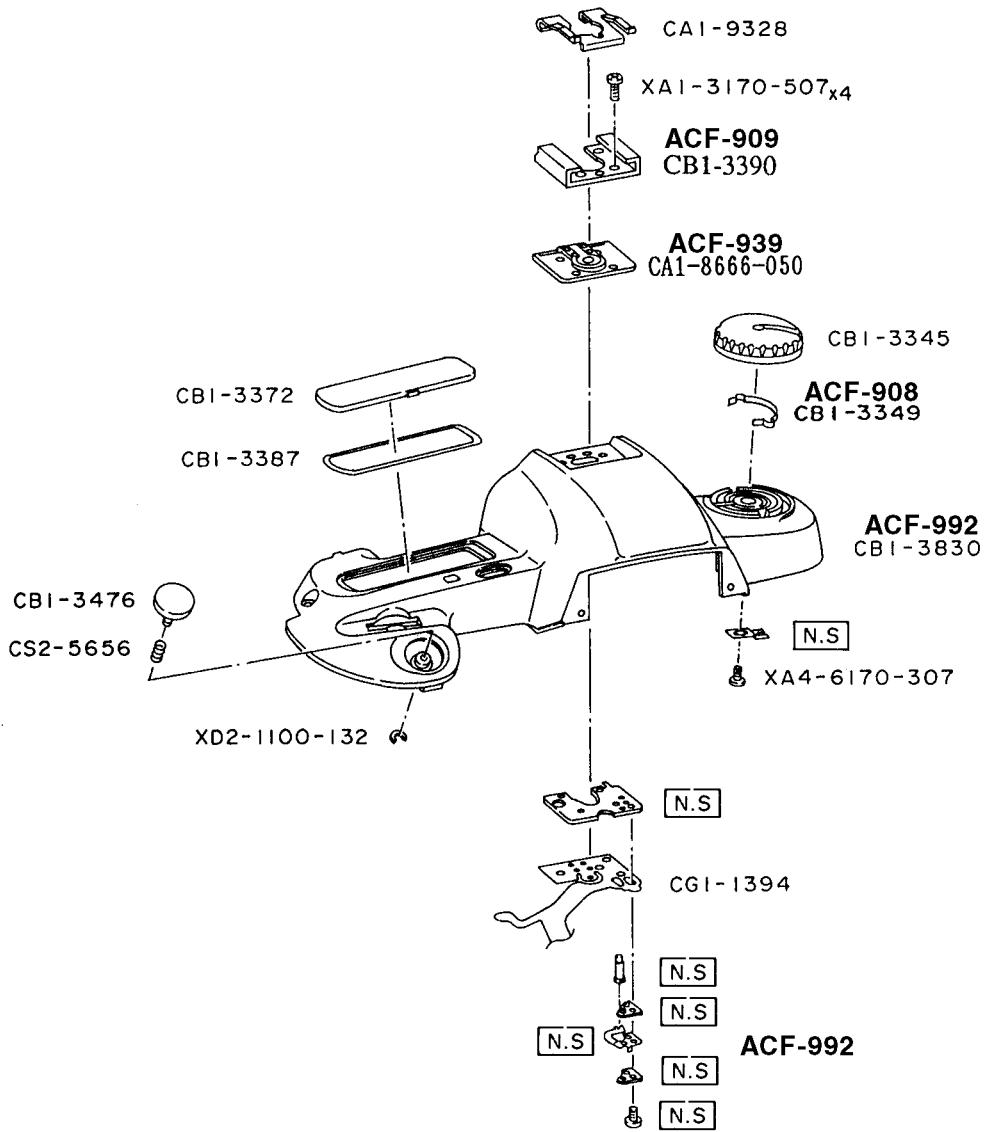
REF.No.C128242,
3,4,5,7,8

NEW	PARTS NO.	CLASS	QTY	DESCRIPTION
	CA1-9427-000		7	SCREW,CROSS-RECESS,PH
	CB1-3350-000	E	1	COVER,HINGE
	CB1-3353-000	E	1	LUG,NECK STRAP(LEFT)
	CB1-3367-000	E	1	HINGE(BACK COVER)
	CB1-3399-000		1	SCREW,CROSS-RECESS,PH
	CB1-3409-000	E	1	LUG,NECK STRAP(RIGHT)
	CB1-3470-000		1	SCREW,CROSS-RECESS,PH
	CB1-3788-000	D	1	SPRING, PLATE PRESSURE
	CB1-3886-000	E	1	SPRING,PN CLICK
	CB1-3889-000	E	1	SHIELD,LIGHT
	CB1-4757-000	D	1	PLATE, PRESSURE
	CF1-2887-000	D	1	LEVER,LATCH
	CF1-2888-000	E	1	CONTACT,MODE
	CF1-2889-000	E	1	FORK ASS'Y
	CF1-2934-000	E	1	PN LEVER ASS'Y
	CG1-1386-000	D	1	QD BACK COVER ASS'Y
	CG1-1397-000	E	1	BASE,MODE CONTACT
	CG1-1504-000	D	1	QD-P BACK COVER ASS'Y
	CG1-1507-000	D	1	BACK COVER ASS'Y
	CS2-0974-000	E	1	GEAR,REWIND 1
	CS2-0975-000	E	2	GEAR,REWIND 2
	CS2-0976-000	E	1	GEAR,REWIND 3
	CS2-5507-050	E	1	SPRING,BACK COVER LATCH
0	CY3-1001-000	D	1	COVER,BASE
0	CY3-1002-000	D	1	PN COVER,BASE
0	CY3-1003-000	D	1	COVER,BASE GENERIC
	X71-9749-000	E	1	RING,G
	XA4-9170-307		1	SCREW,CROSS-RECESS,PH
	XA4-9170-407		2	SCREW,CROSS-RECESS,PH
	XA4-9200-457		2	SCREW,CROSS-RECESS,PH

CANON EOS KISS
EOS REBEL XS
EOS 500/500 QD
EOS REBEL XSQD



CANON EOS REBEL X

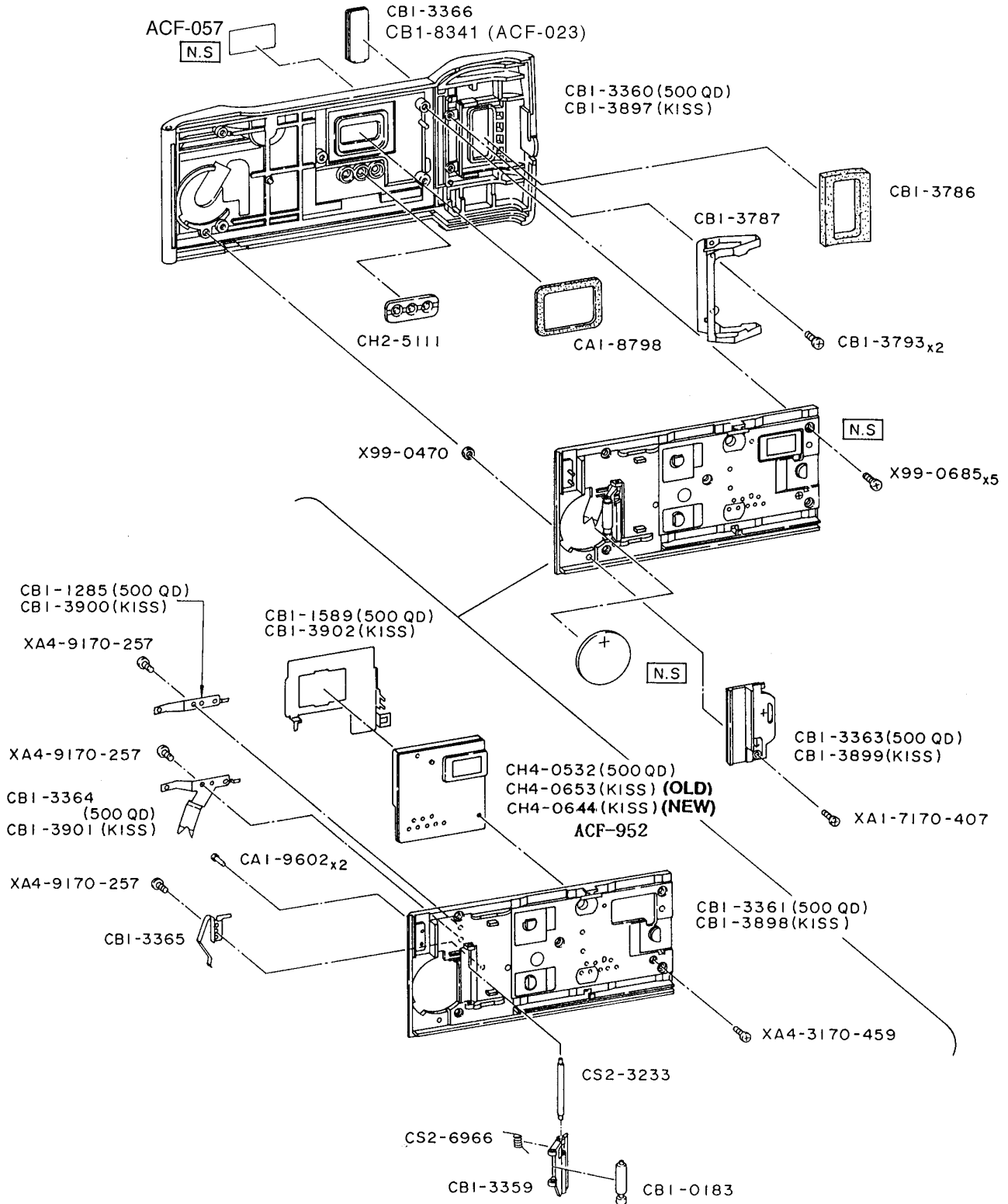


PARTS LIST

REF.No.C128242,
3,4,5,7,8

NEW	PARTS NO.	CLASS	QTY	DESCRIPTION
	CA1-8666-050	E	1	BASE,ACCESSORY
	CA1-9328-000	E	1	SPRING,PLATE
	CB1-3345-000	E	1	DIAL,MODE
	CB1-3349-000	C	1	SPRING,MODE DIAL
	CB1-3372-000	D	1	WINDOW,LCD
	CB1-3387-000	C	1	TAPE,LCD WINDOW
	CB1-3390-000	E	1	SHOE,ACCESSORY
	CB1-3476-000	D	1	BUTTON,RELEASE
	CB1-3830-000	D	1	COVER,TOP
	CG1-1394-000	D	1	TOP,FLEX ASS'Y
	CS2-5656-000	E	1	SPRING,RELEASE
	XA1-3170-507		4	SCREW,CROSS-RECESS,PH
	XA4-6170-307		1	SCREW,CROSS-RECESS,PH
	XD2-1100-132		1	WASHER,RETAINING

CANON EOS KISS EOS 500 QD EOS REBEL XSQD

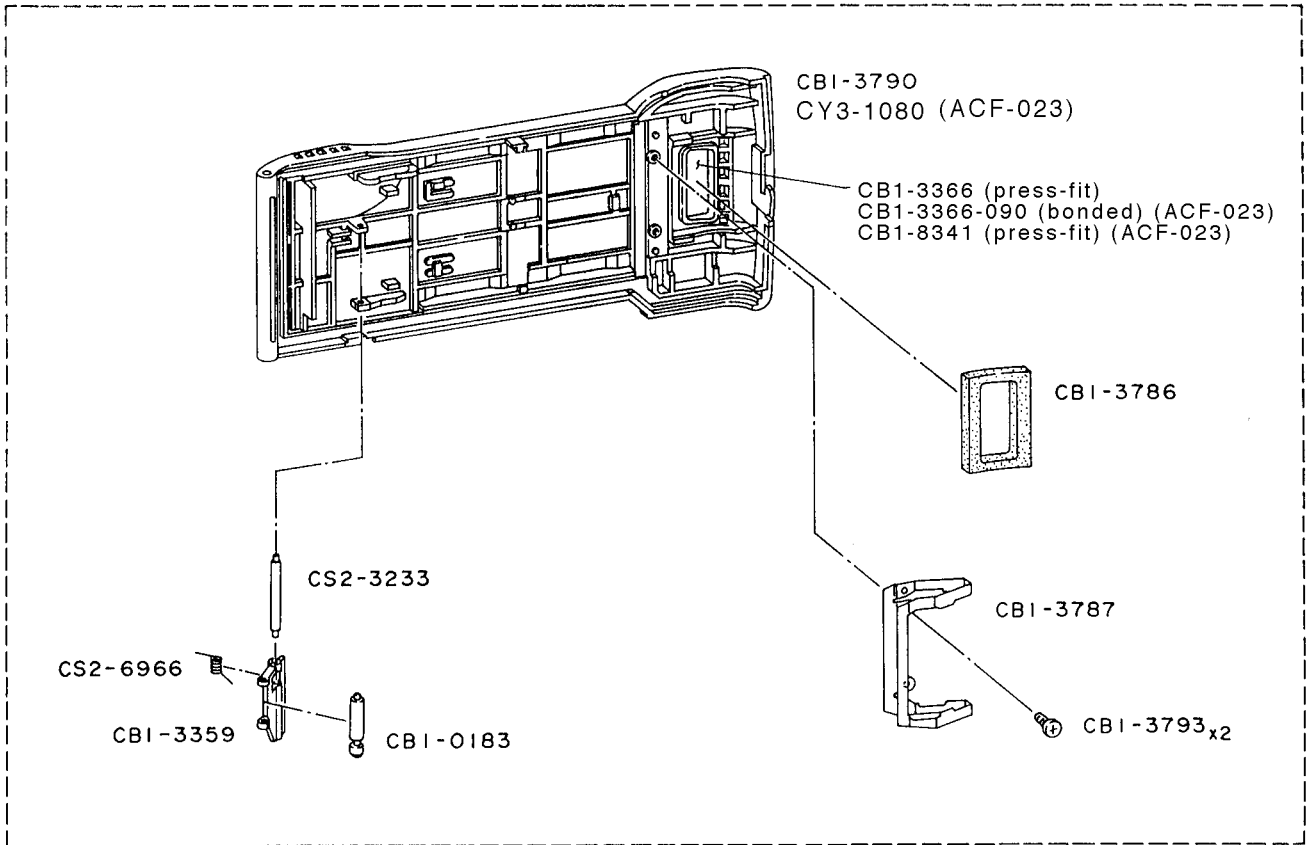


PARTS LIST

REF.No.C128242,
3,4,5,7,8

NEW	PARTS NO.	CLASS	QTY	DESCRIPTION
	CA1-8798-000	D	1	LIGHT SHIELD,DATE WINDOW
	CA1-9602-000	E	2	PIN,CONTACT
	CB1-0183-000	E	1	ROLLER-1,BACK COVER GUIDE
	CB1-1285-000	E	1	CONTACT,DATE SIGNAL
	CB1-1589-000	E	1	PLATE,DATE SHIELD
	CB1-3359-000	E	1	HOLDER,ROLLER
	CB1-3360-000	D	1	COVER,DATE OUTSIDE
	CB1-3361-000	E	1	COVER,DATE INNER
	CB1-3363-000	E	1	COVER,BATTERY
	CB1-3364-000	E	1	CONTACT,BATTERY(-)
	CB1-3365-000	E	1	CONTACT,BATTERY(+)
	CB1-3366-000	E	1	WINDOW,FILM
	CB1-3786-000	E	1	SHIELD,LIGHT
	CB1-3787-000	E	1	SPRING,CARTRIDGE
	CB1-3793-000		2	SCREW,CROSS-RECESS,PH
	CB1-3897-000	E	1	COVER,PN DATE SIGNAL
	CB1-3898-000	E	1	COVER,PN DATE INNER
	CB1-3899-000	E	1	COVER,PN BATTERY
	CB1-3900-000	E	1	CONTACT,PN DATE SIGNAL
	CB1-3901-000	D	1	CONTACT,PN BATTERY(-)
	CB1-3902-000	D	1	PLATE,PN DATE SHIELD
	CB1-8341-000	E	1	WINDOW, FILM
	CH2-5111-000	E	1	SWICH,DATE
	CH4-0532-000	D	1	DATE CBA
	CH4-0644-000 (NEW	E	1	PN DATE CBA
	CH4-0653-000 (OLD)	E	1	PN DATE CBA
	CS2-3233-000		1	SHAFT,ROLLER HOLDER
	CS2-6966-000		1	SPRING,ROLLER
	X99-0470-000		1	NUT
	X99-0685-000		5	SCREW,CROSS-RECESS,PH
	XA1-7170-407		1	SCREW,CROSS-RECESS,PH
	XA4-3170-459		1	SCREW,CROSS-RECESS,PH
	XA4-9170-257		3	SCREW,CROSS-RECESS,PH

CANON EOS REBEL X/XS EOS 500

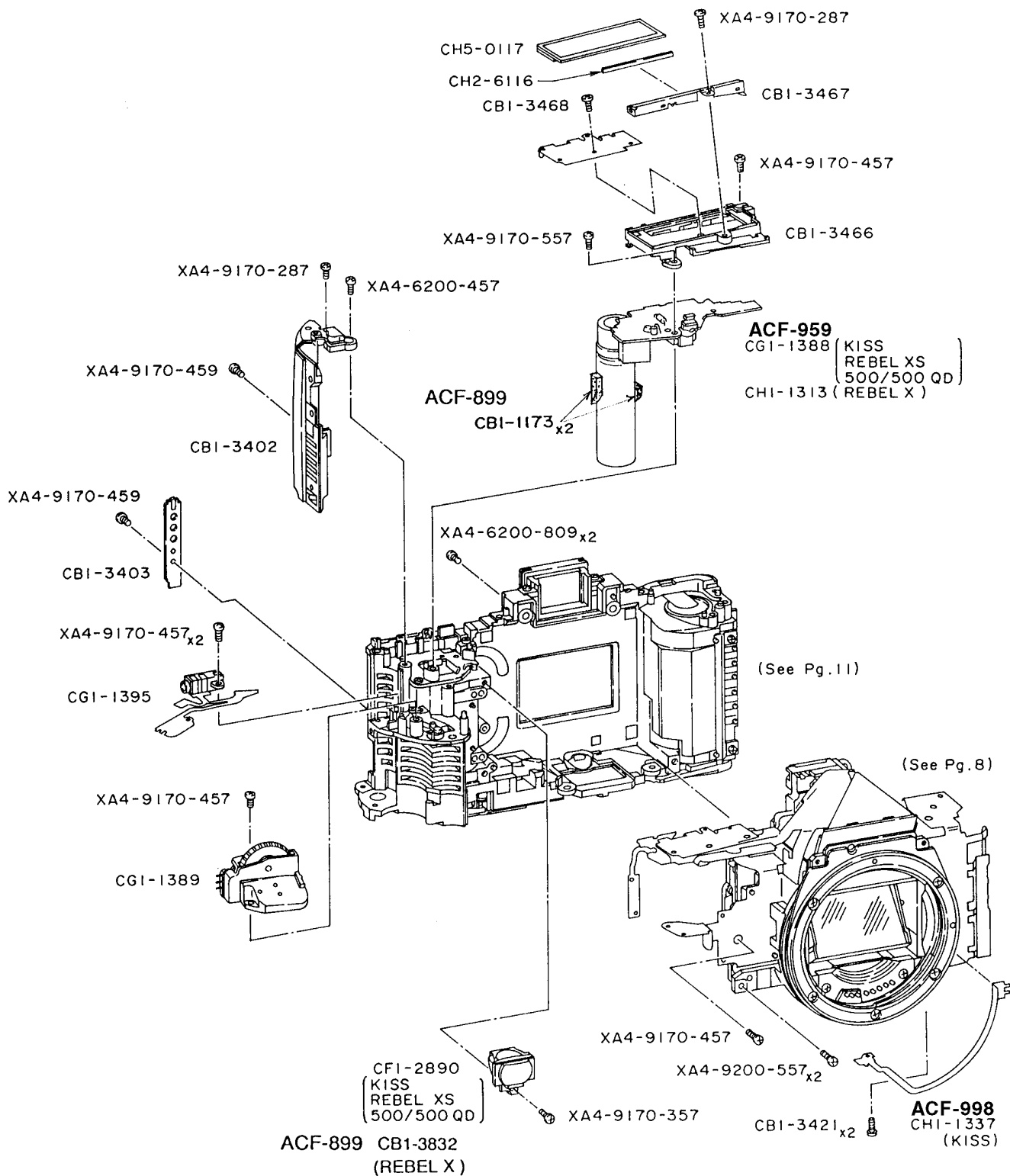


PARTS LIST

REF.No.C128242,
3,4,5,7,8

NEW	PARTS NO.	CLASS	QTY	DESCRIPTION
	CB1-0183-000	D	1	ROLLER-1,BACK COVER GUIDE
	CB1-3359-000	E	1	HOLDER,ROLLER
	CB1-3366-000	E	1	WINDOW,FILM
	CB1-3366-000	E	1	WINDOW, FILM
	CB1-3366-090	E	1	WINDOW, FILM
	CB1-3786-000	E	1	SHIELD,LIGHT
	CB1-3787-000	E	1	SPRING,CARTRIDGE
	CB1-3790-000	E	1	COVER,OUTSIDE
	CB1-3793-000		2	SCREW,CROSS-RECESS-PH
	CB1-8341-000	E	1	WINDOW, FILM
	CS2-3233-000	D	1	SHFT,ROLLER HOLDER
	CS2-6966-000	D	1	SPRING,ROLLER
	CY3-1080-000	D	1	BACK COVER UNIT (NON-QD)

**CANON EOS KISS
EOS REBEL X/XS
EOS 500/500 QD
EOS REBEL XSQD**

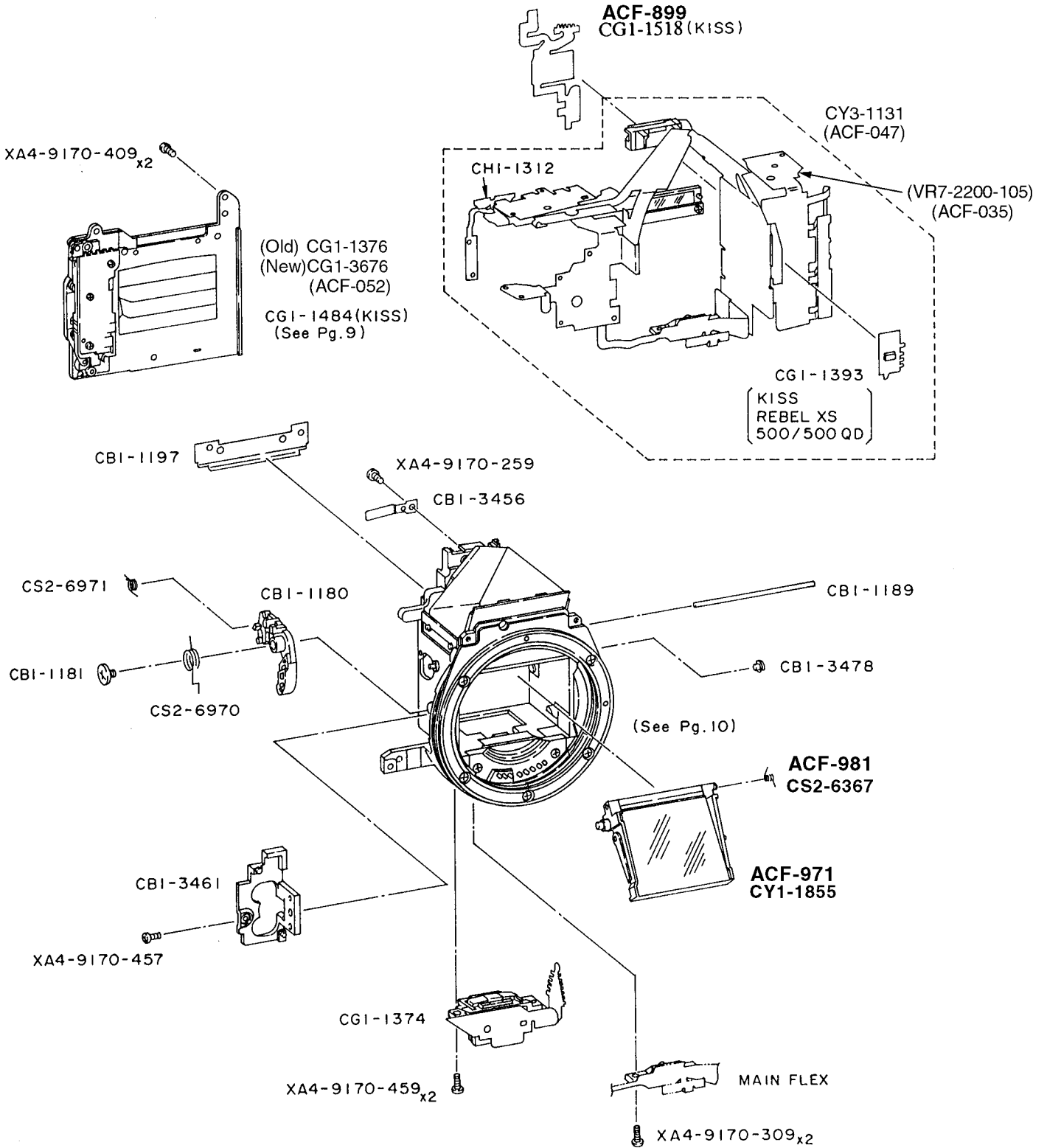


PARTS LIST

REF.No.C128242,
3,4,5,7,8

NEW	PARTS NO.	CLASS	QTY	DESCRIPTION
	CB1-1173-000	D	2	SHIELD,LIGHT
	CB1-3402-000	D	1	COVER,HINGE
	CB1-3403-000	E	1	COVER,DATE CONTACT
	CB1-3421-000	E	2	SCREW,CROSS-RECESS,PH
	CB1-3466-000	E	1	CASE,OUTSIDE LCD
	CB1-3467-000	E	1	HOLDER,OUTSIDE LCD
	CB1-3468-000		1	SCREW,CROSS-RECESS,PH
	CB1-3832-000	D	1	DUMMY AF LED
	CF1-2890-000	E	1	AF LED ASS'Y
	CG1-1388-000	C	1	FLASH CBA
	CG1-1389-000	E	1	DIAL ASS'Y
	CG1-1395-000	D	1	RELEASE FLEX ASS'Y
	CH1-1313-000	E	1	DUMMY FLASH CBA
	CH1-1337-000	D	1	PN SW FLEX
	CH2-6116-000	E	1	CONNECTOR,OUTSIDE LCD
	CH5-0117-000	C	1	OUTSIDE LCD
	XA4-6200-457		1	SCREW,CROSS-RECESS,PH
	XA4-6200-809		2	SCREW,CROSS-RECESS,PH
	XA4-9170-287		2	SCREW,CROSS-RECESS,PH
	XA4-9170-357		1	SCREW,CROSS-RECESS,PH
	XA4-9170-457		5	SCREW,CROSS-RECESS,PH
	XA4-9170-459		2	SCREW,CROSS-RECESS,PH
	XA4-9170-557		1	SCREW,CROSS-RECESS,PH
	XA4-9200-557		2	SCREW,CROSS-RECESS,PH

**CANON EOS KISS
EOS REBEL X/XS
EOS 500/500 QD
EOS REBEL XSQD**



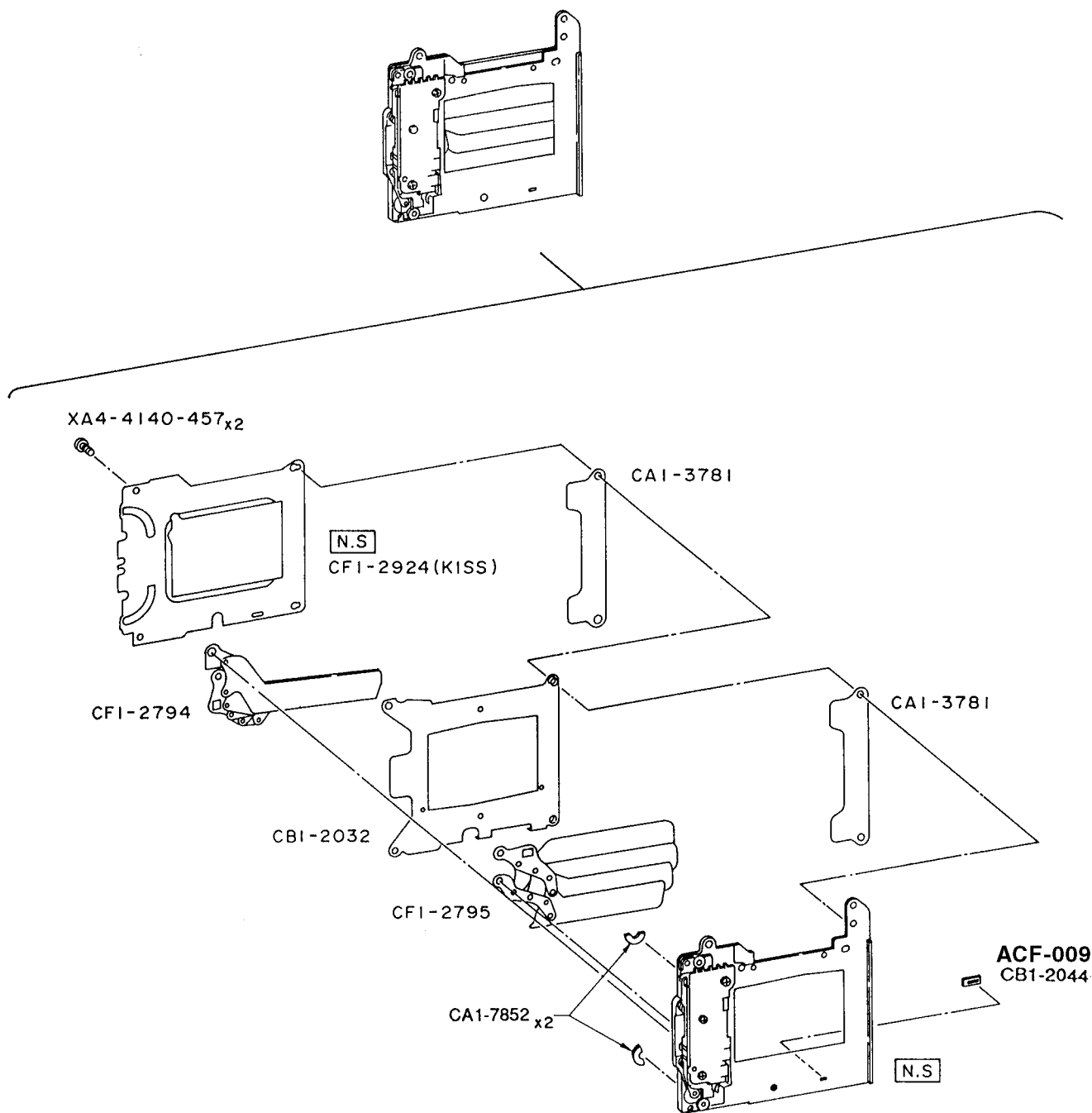
PARTS LIST

REF.No.C128242,
3,4,5,7,8

NEW	PARTS NO.	CLASS	QTY	DESCRIPTION
	CB1-1180-000	E	1	LEVER,MIRROR UP
	CB1-1181-000		1	SCREW,CROSS-RECESS,PH
	CB1-1189-000	E	1	HINGE,MAIN MIRROR
	CB1-1197-000	E	1	SHIELD,LIGHT
	CB1-3456-000	E	1	HOLDER,INSIDE LCD
	CB1-3461-000	E	1	WING
	CB1-3478-000	E	1	STOPPER,SUB MIRROR
	CG1-1374-000	E	1	AUTO FOCUS UNIT
	CG1-1376-000	C	1	SHUTTER UNIT
	CG1-1393-000	C	1	MAGNET FLEX ASS'Y
	CG1-1484-000	C	1	PN SHUTTER UNIT
	CG1-1518-000	C	1	PN FLEX ASS'Y
	CG1-3676-000	C	1	SHUTTER UNIT
	CH1-1312-000	E	1	SW FLEX
	CS2-6367-000	D	1	SPRING,SUB MIRROR RETURN
	CS2-6970-000	E	1	SPRING,MIRROR UP
	CS2-6971-000	E	1	SPRING,MIRROR RETURNING
	CY1-1855-000	D	1	MIRROR UNIT
	CY3-1131-000	C	1	MAIN FLEX ASS'Y
	VR7-2200-105	E	1	RESISTOR
	XA4-9170-259		1	SCREW,CROSS-RECESS,PH
	XA4-9170-309		2	SCREW,CROSS-RECESS,PH
	XA4-9170-409		2	SCREW,CROSS-RECESS,PH
	XA4-9170-457		1	SCREW,CROSS-RECESS,PH
	XA4-9170-459		2	SCREW,CROSS-RECESS,PH

**CANON EOS KISS
EOS REBEL X/XS
EOS 500/500 QD
EOS REBEL XSQD**

REF.NO.C12-8242
C12-8243,4
C12-8247,8
C12-8245



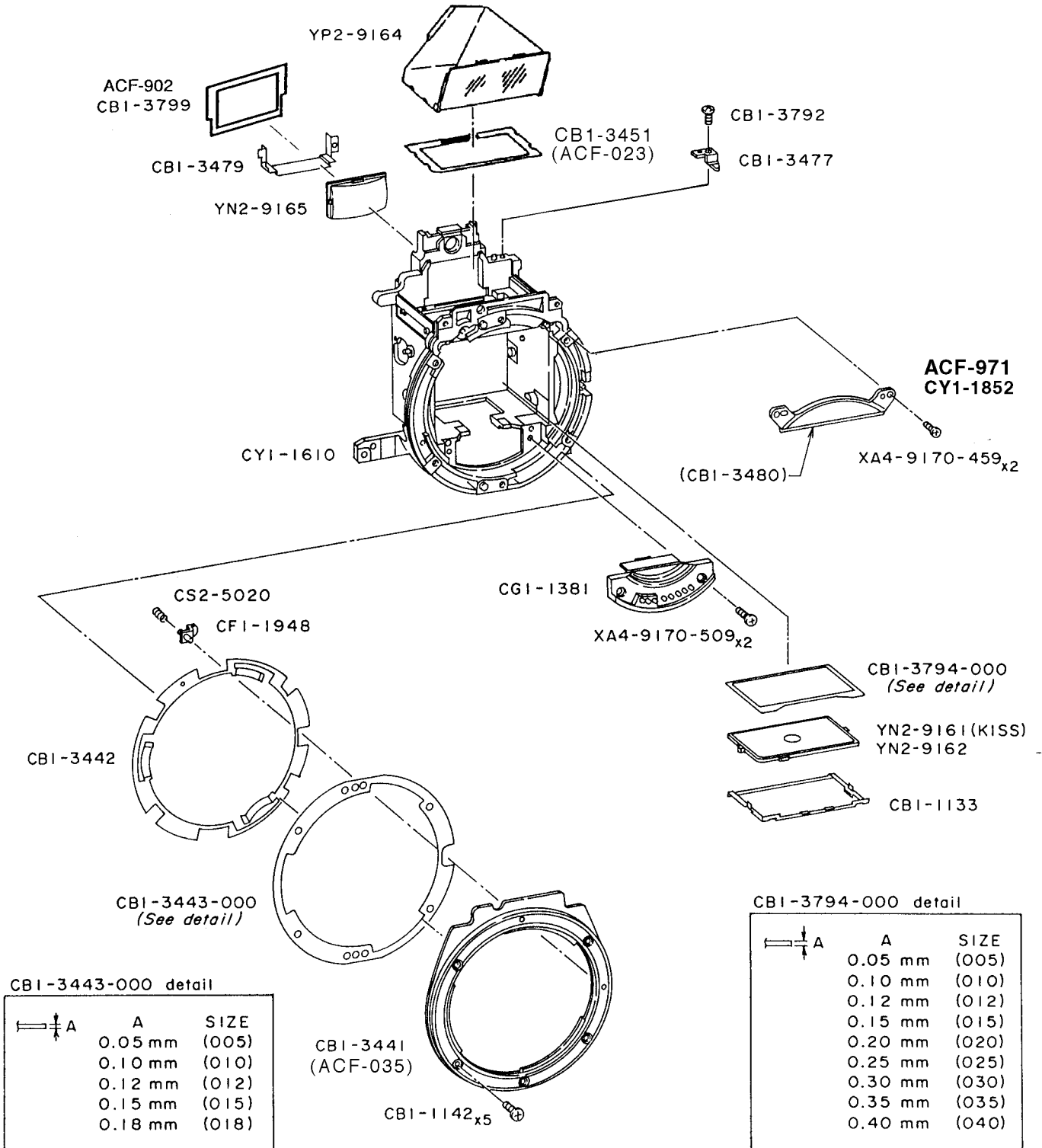
PARTS LIST

REF.No.C128242,
3,4,5,7,8

NEW	PARTS NO.	CLASS	QTY	DESCRIPTION
	CA1-3781-000	E	2	SPACER
	CA1-7852-000	E	2	STOPPER
	CB1-2032-000	E	1	PLATE,SEPARATOR
	CB1-2044-000	E	1	RUBBER,STOPPER
	CF1-2794-000	C	1	CURTAIN,1ST SHUTTER
	CF1-2795-000	C	1	CURTAIN,2ND SHUTTER
	CF1-2924-000	D	1	PN COVER ASS'Y
	XA4-4140-457		2	SCREW,CROSS-RECESS,PH

**CANON EOS KISS
EOS REBEL X/XS
EOS 500/500 QD
EOS REBEL XSQD**

REF.NO.C12-8242
C12-8243,4
C12-8247,8
C12-8245

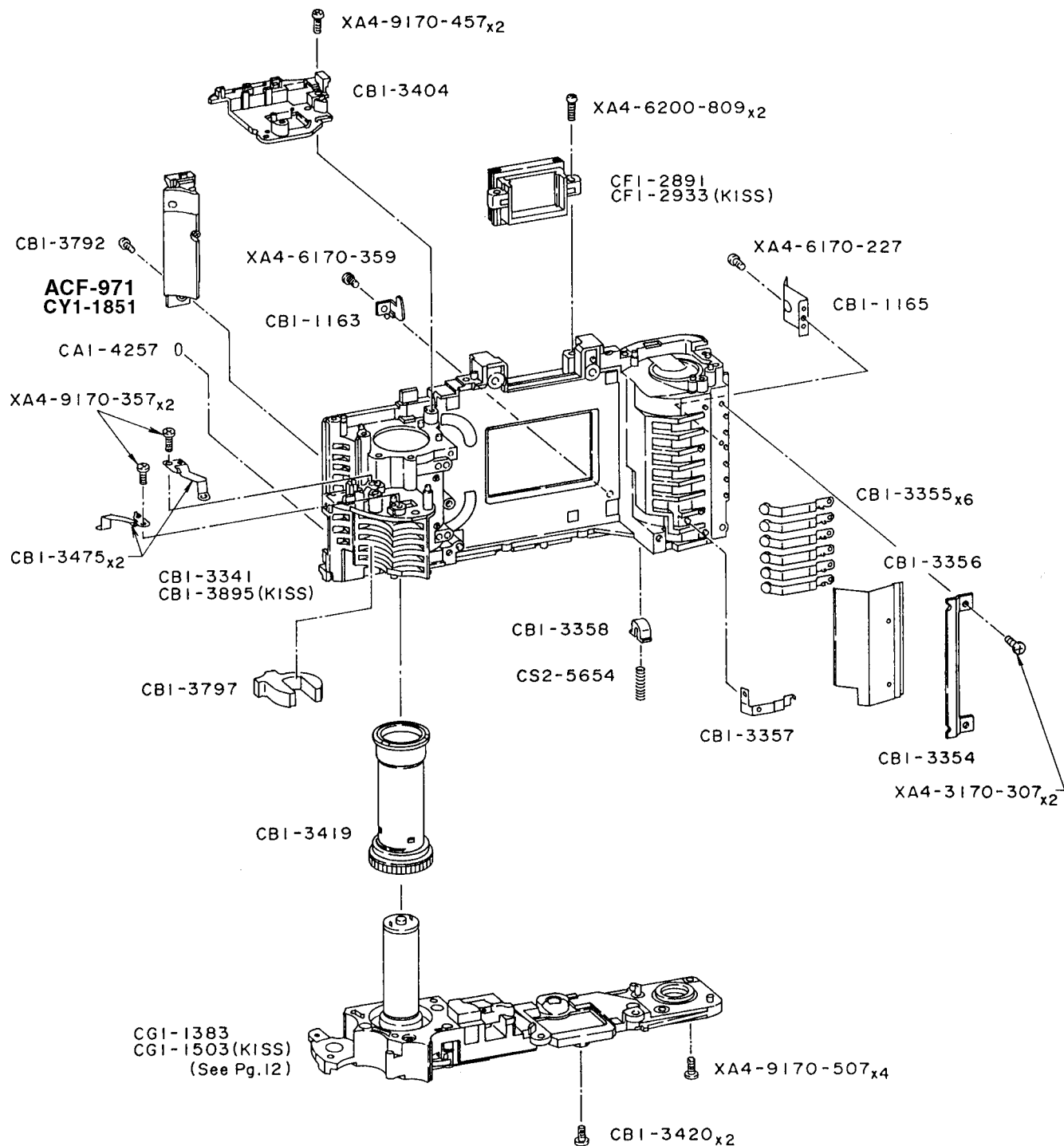


PARTS LIST

REF.No.C128242,
3,4,5,7,8

NEW	PARTS NO.	CLASS	QTY	DESCRIPTION
	CB1-1133-000	E	1	HOLDER, FOCUSING PLATE
	CB1-1142-000		5	SCREW, CROSS-RECESS, PH
	CB1-3441-000	E	1	MOUNT, BODY
	CB1-3442-000	E	1	SPRING, MOUNT
	CB1-3443-000 (XXX)	E	1	SPACER, MOUNT
	CB1-3451-000	E	1	MASK, FINDER
	CB1-3477-000	E	1	STOPPER, MAIN FLEX
	CB1-3479-000	E	1	SHIELD, EYEPIECE LIGHT
	CB1-3480-000	E	1	CUSHION, MIRROR
	CB1-3792-000		1	SCREW, CROSS-RECESS, PH
	CB1-3794-000 (XXX)	E	1	WASHER, FINDER BACK ADJ
	CB1-3799-000	D	1	EYEPIECE MASK
	CF1-1948-000	E	1	LEVER, LENS LOCK
	CG1-1381-000	E	1	MOUNT CONTACT ASS'Y
	CS2-5020-000	E	1	SPRING, COIL
	CY1-1610-000	E	1	MIRROR BOX UNIT
	CY1-1852-000	E	1	PLATE, PROTECTION
	XA4-9170-459		2	SCREW, CROSS-RECESS, PH
	XA4-9170-509		2	SCREW, CROSS-RECESS, PH
	YN2-9161-000	D	1	SCREEN, PN FOCUS
	YN2-9162-000	D	1	SCREEN, FOCUS
	YN2-9165-000	E	1	EYEPIECE, FRONT
	YP2-9164-000	C	1	PENTA MIRROR ASS'Y

CANON EOS KISS
EOS REBEL X/XS
EOS 500/500 QD
EOS REBEL XSQD

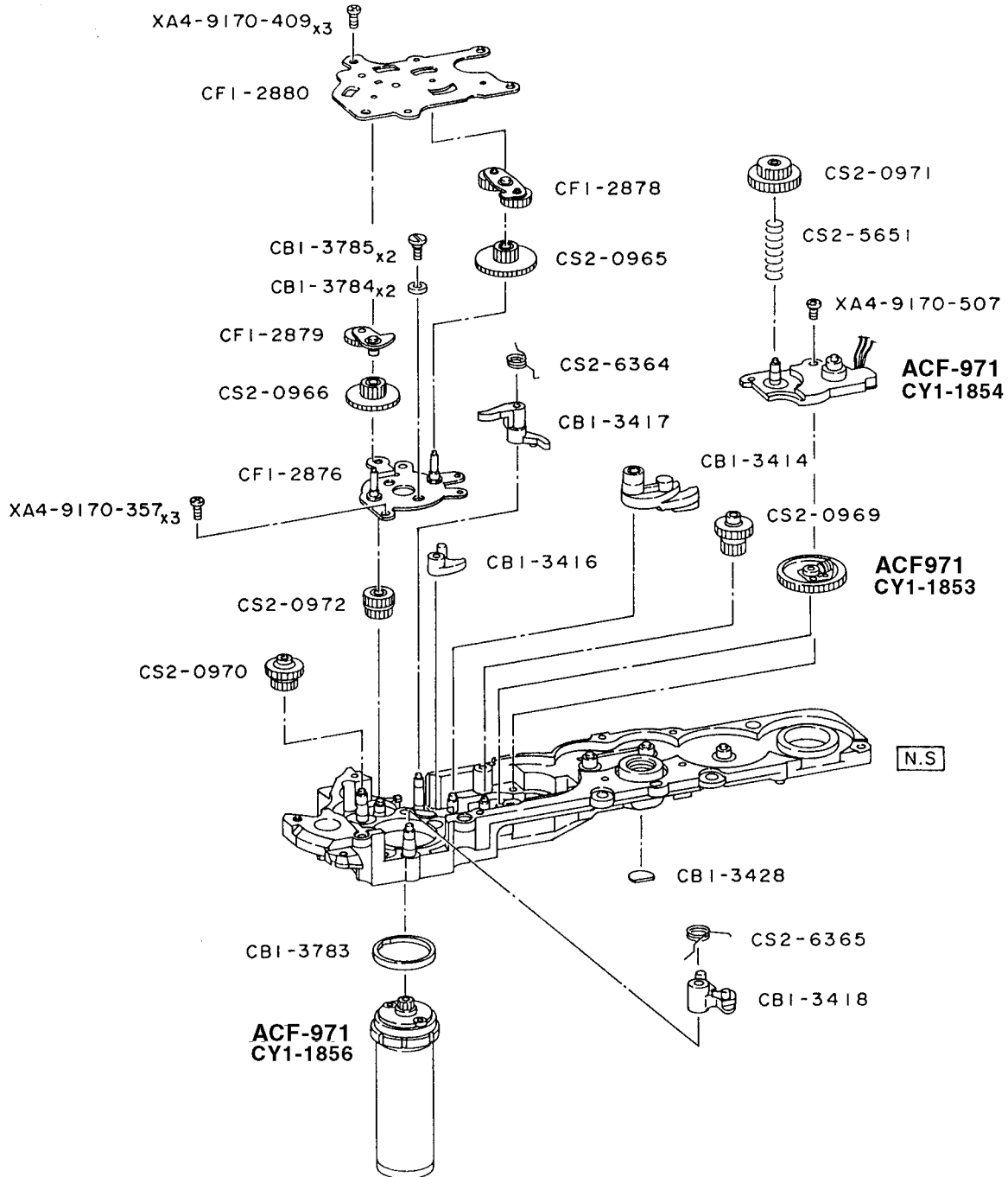


PARTS LIST

REF.No.C128242,
3,4,5,7,8

NEW	PARTS NO.	CLASS	QTY	DESCRIPTION
	CA1-4257-000	E	1	SEAL,FILM
	CB1-1163-000	E	1	JAW,FILM CARTRIDGE
	CB1-1165-000	E	1	GUIDE FILM CARTRIDGE
	CB1-3341-000	E	1	BODY
	CB1-3354-000	E	1	HOLDER,DX
	CB1-3355-000	E	6	CONTACT,DX
	CB1-3356-000	E	1	COVER,DX
	CB1-3357-000	E	1	CONTACT,FILM CARTRIDGE
	CB1-3358-000	E	1	LEVER,FILM CARTRIDGE
	CB1-3404-000	E	1	BASE,SPOOL
	CB1-3419-000	E	1	SPOOL
	CB1-3420-000		2	SCREW,CROSS-RECESS,PH
	CB1-3475-000		2	CONTACT,BATTERY
	CB1-3792-000		1	SCREW,CROSS-RECESS,PH
	CB1-3797-000	E	1	CUSHION
	CB1-3895-000	E	1	PN BODY
	CF1-2891-000	E	1	EYEPIECE ASS'Y
	CF1-2933-000	E	1	PN EYEPIECE ASS'Y
	CG1-1383-000	D	1	LOWER BOTTOM PLATE ASS'Y
	CG1-1503-000	D	1	PN LOWER BOTTOM PLATE ASS'Y
	CS2-5654-000	E	1	SPRING,FILM CARTRIDGE UP
	CY1-1851-000	E	1	SIGNAL ASS'Y
	XA4-3170-307		2	SCREW,CROSS-RECESS,PH
	XA4-6170-227		1	SCREW,CROSS-RECESS,PH
	XA4-6170-359		1	SCREW,CROSS-RECESS,PH
	XA4-6200-809		2	SCREW,CROSS-RECESS,PH
	XA4-9170-357		2	SCREW,CROSS-RECESS,PH
	XA4-9170-457		2	SCREW,CROSS-RECESS,PH
	XA4-9170-507		4	SCREW,CROSS-RECESS,PH

CANON EOS KISS
EOS REBEL X/XS
EOS 500/500 QD
EOS REBEL XSQD



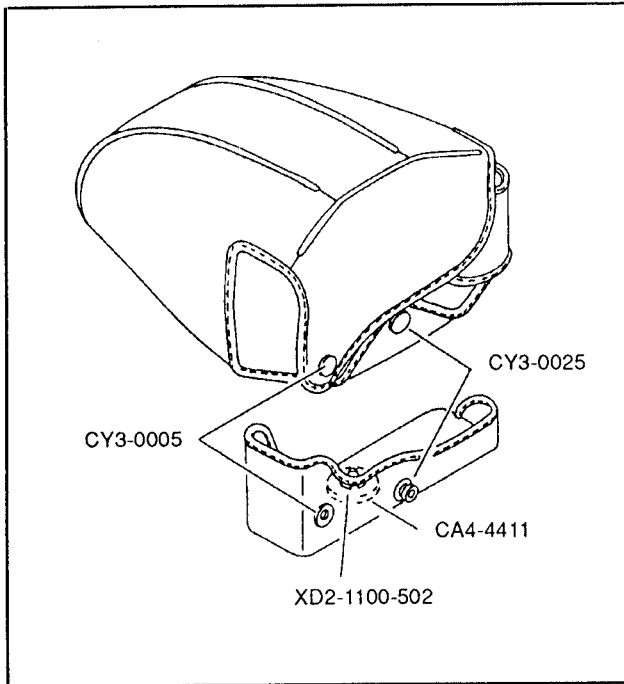
PARTS LIST

REF.No.C128242,
3,4,5,7,8

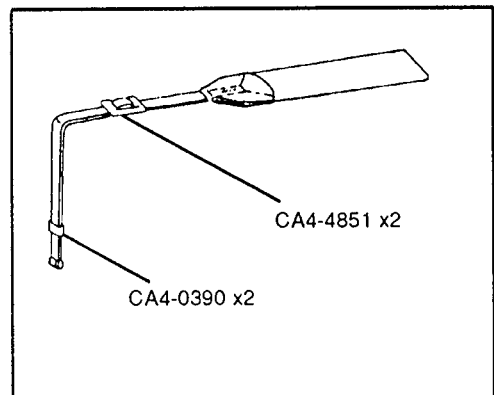
NEW	PARTS NO.	CLASS	QTY	DESCRIPTION
	CB1-3414-000	E	1	LEVER,CHARGE
	CB1-3416-000	E	1	LEVER-1,RESET
	CB1-3417-000	E	1	LEVER-2,RESET
	CB1-3418-000	E	1	LEVER,BACK COVER
	CB1-3428-000	E	1	COVER,TRIPOD
	CB1-3783-000	E	1	RUBBER,GEAR HEAD MOTOR
	CB1-3784-000		2	SCREW,CROSS-RECESS,PH
	CB1-3785-000		2	SCREW,CROSS-RECESS,PH
	CF1-2876-000	E	1	GEAR COVER ASS'Y
	CF1-2878-000	E	1	ARM 1,PLANETARY
	CF1-2879-000	E	1	ARM 2,PLANETARY
	CF1-2880-000	E	1	LOWER COVER ASS'Y
	CS2-0965-000	E	1	GEAR,CHG SUN
	CS2-0966-000	E	1	GEAR,PREWIND SUN
	CS2-0969-000	E	1	GEAR,CHG TRANSFER
	CS2-0970-000	E	1	GEAR,PREWIND TRANSFER
	CS2-0971-000	E	1	GEAR,REWIND TRANSFER
	CS2-0972-000	E	1	GEAR,SPOOL TRANSFER
	CS2-5651-000	E	1	SPRING,REWIND FRICTION
	CS2-6364-000	E	1	SPRING,RESET
	CS2-6365-000	E	1	SPRING,BACK COVER RESET
	CY1-1853-000	D	1	CAM GEAR ASS'Y
	CY1-1854-000	D	1	SIGNAL COVER ASS'Y
	CY1-1856-000	D	1	MOTOR ASS'Y
	XA4-9170-357	E	3	SCREW,CROSS-RECESS,PH
	XA4-9170-409		3	SCREW,CROSS-RECESS,PH
	XA4-9170-507		1	SCREW,CROSS-RECESS,PH

CANON EOS KISS, REBEL X/XS, 500/500 QD, REBEL XSQD (ACC)

C46-1832 SEMI HARD CASE EH7-L
C46-1833 SEMI HARD CASE EH7-LL



C56-1611 WIDE STRAP EW-100BM



PARTS LIST

REF.No.C128242,
3,4,5,7,8

NEW	PARTS NO.	CLASS	QTY	DESCRIPTION
	C56-1611-000	E	1	WIDE STRAP EW-100BM
	CA4-0390-000	D	2	LOOP
	CA4-4411-000	D	1	SCREW,TIGHTENING
	CA4-4851-000	E	2	CLASP
	CY3-0005-000	D	1	HOOK
	CY3-0025-000	D	1	HOOK
	XD2-1100-502		1	RETAINING RING(E-TYPE)