

# **SERVICE MANUAL**

**EXPLODED VIEWS**

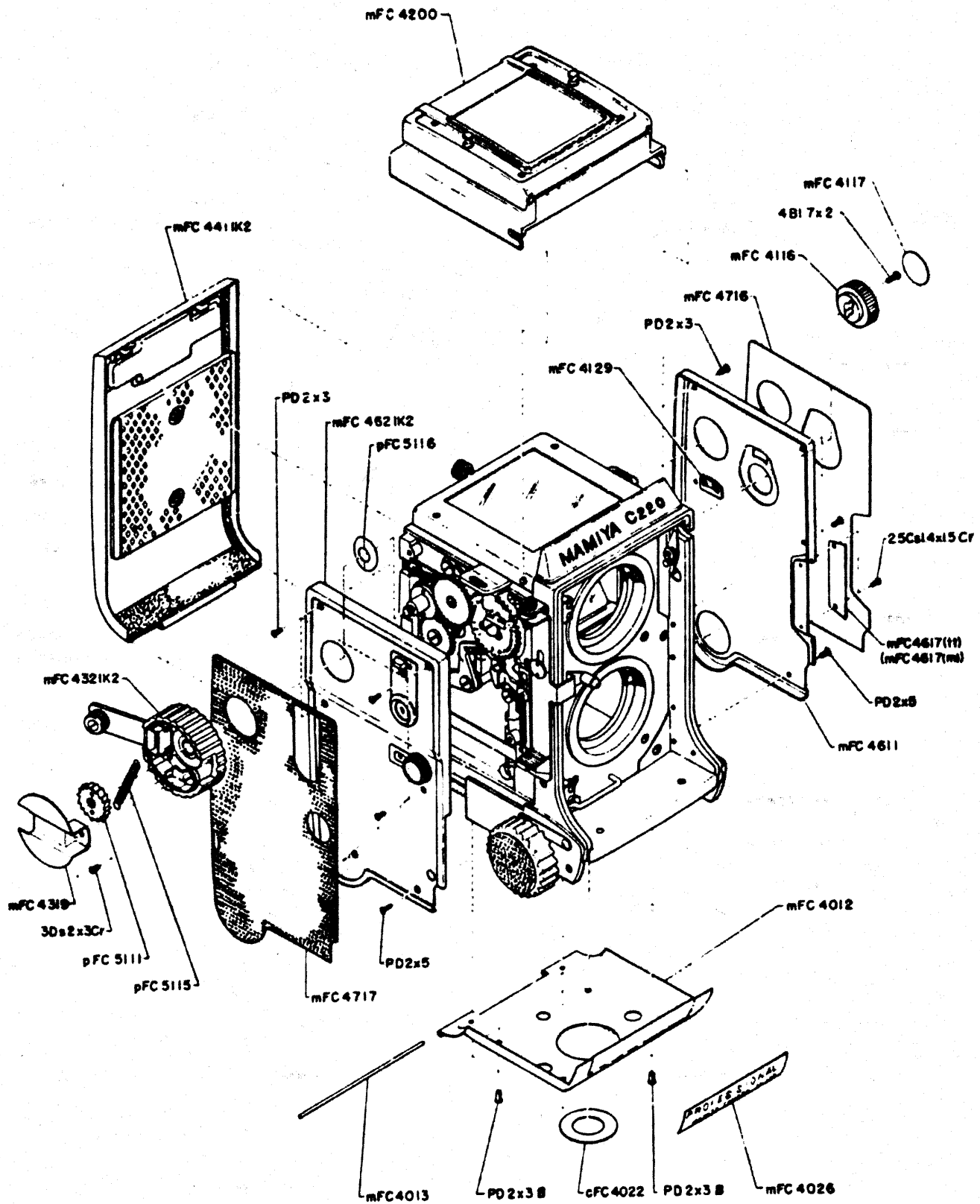
**for**

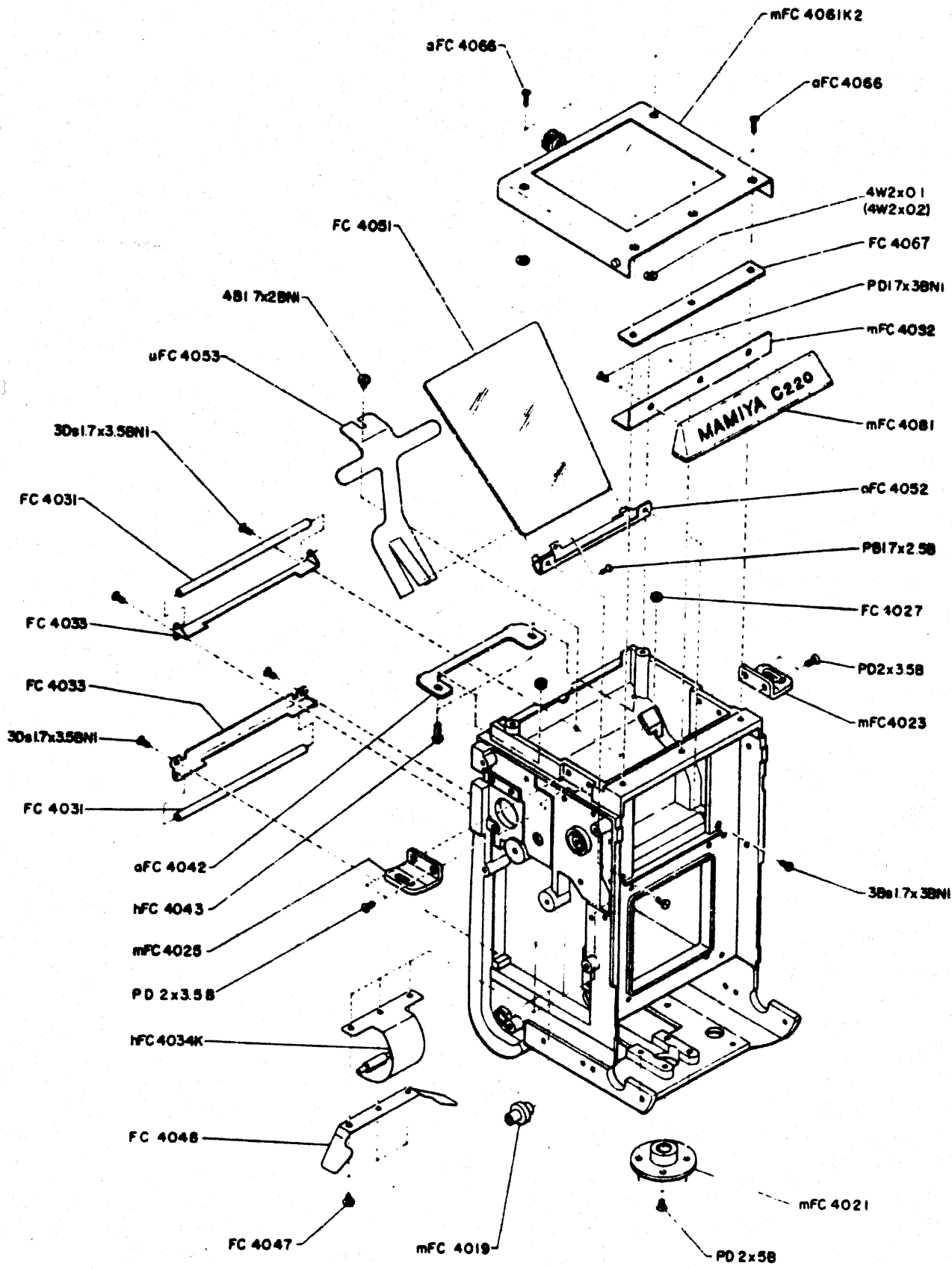
**MAMIYA C220 Professional**

**(mFC)**

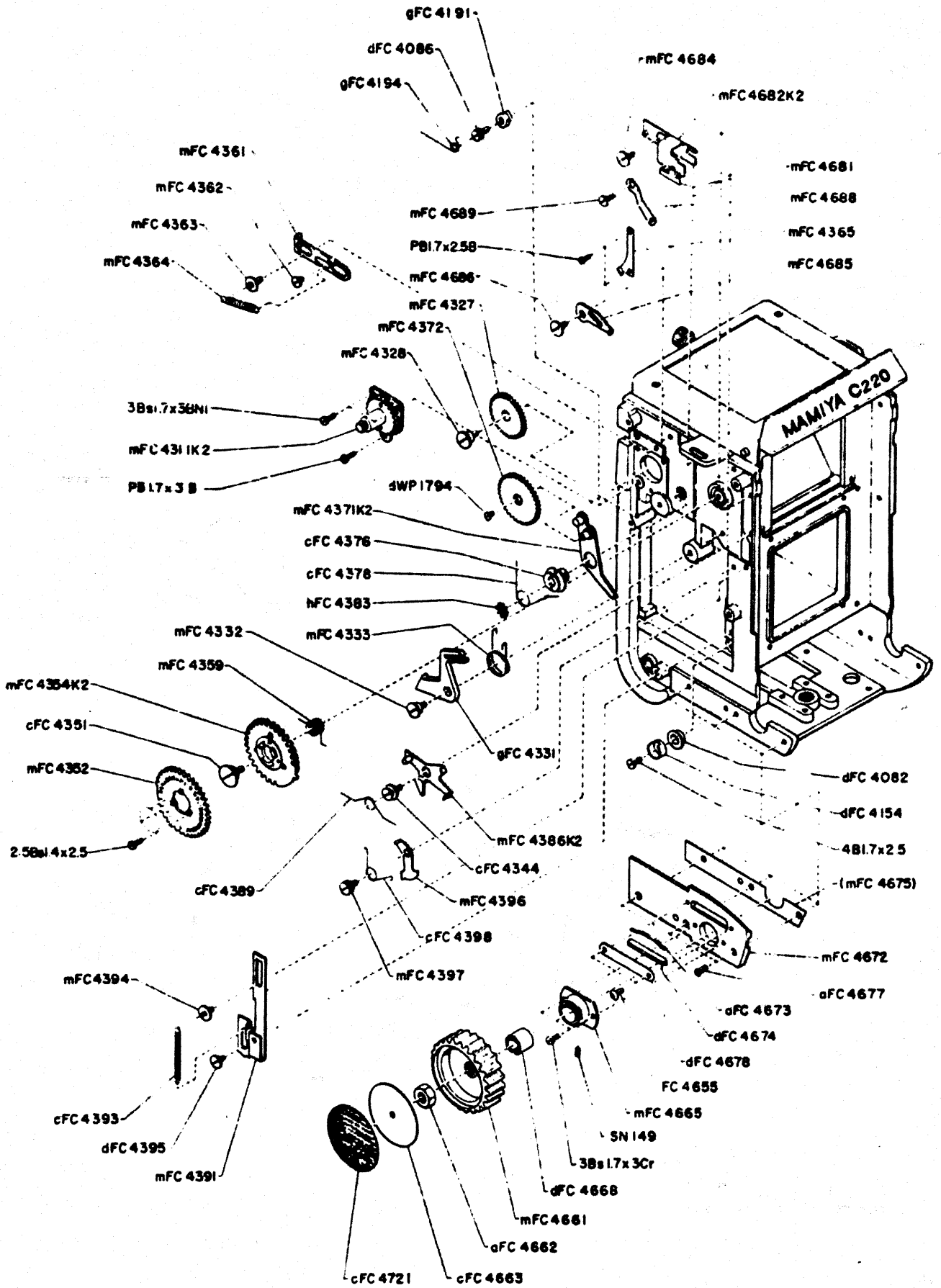


**MAMIYA CAMERA CO., LTD.**  
**TOKYO JAPAN**

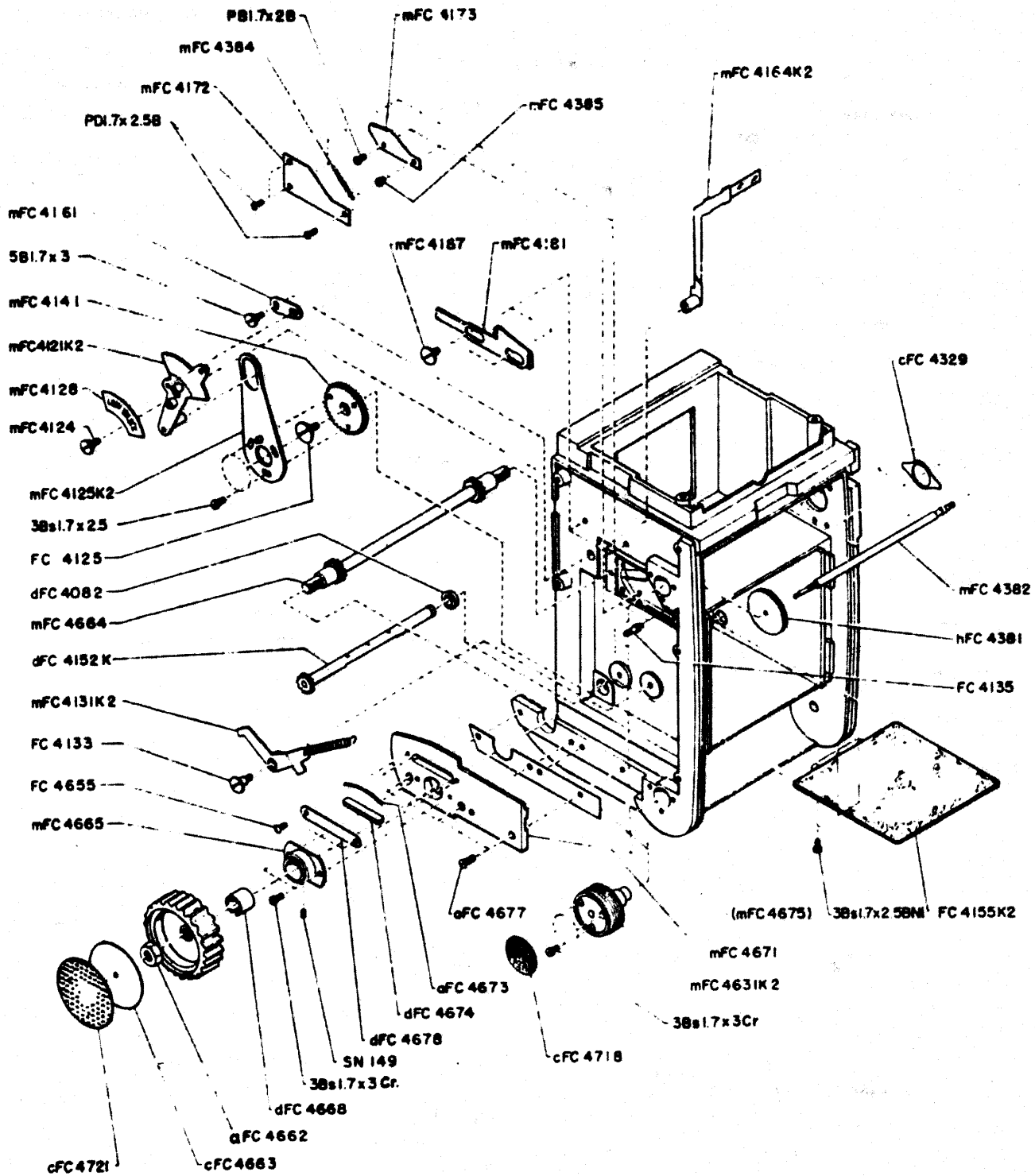


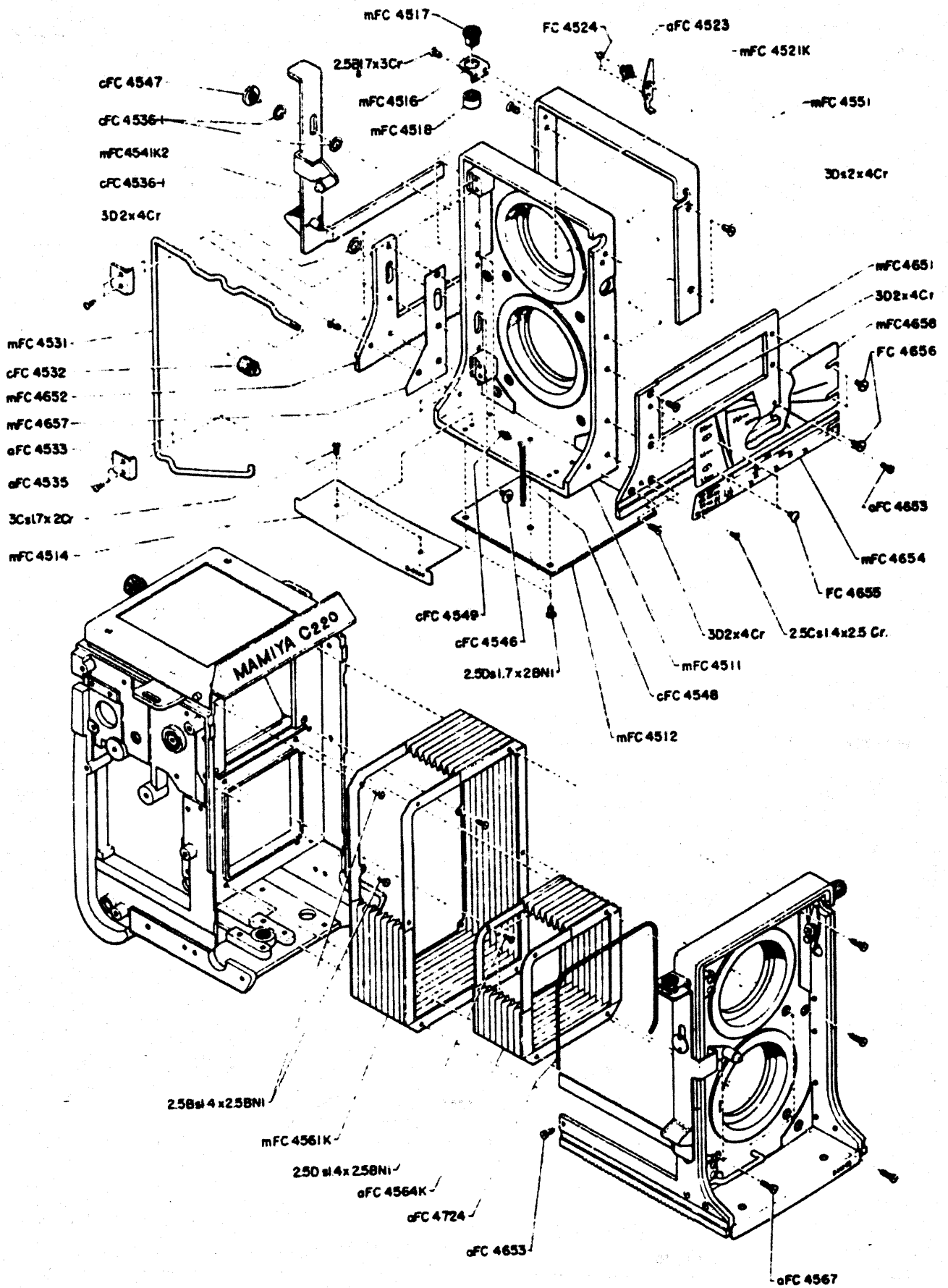


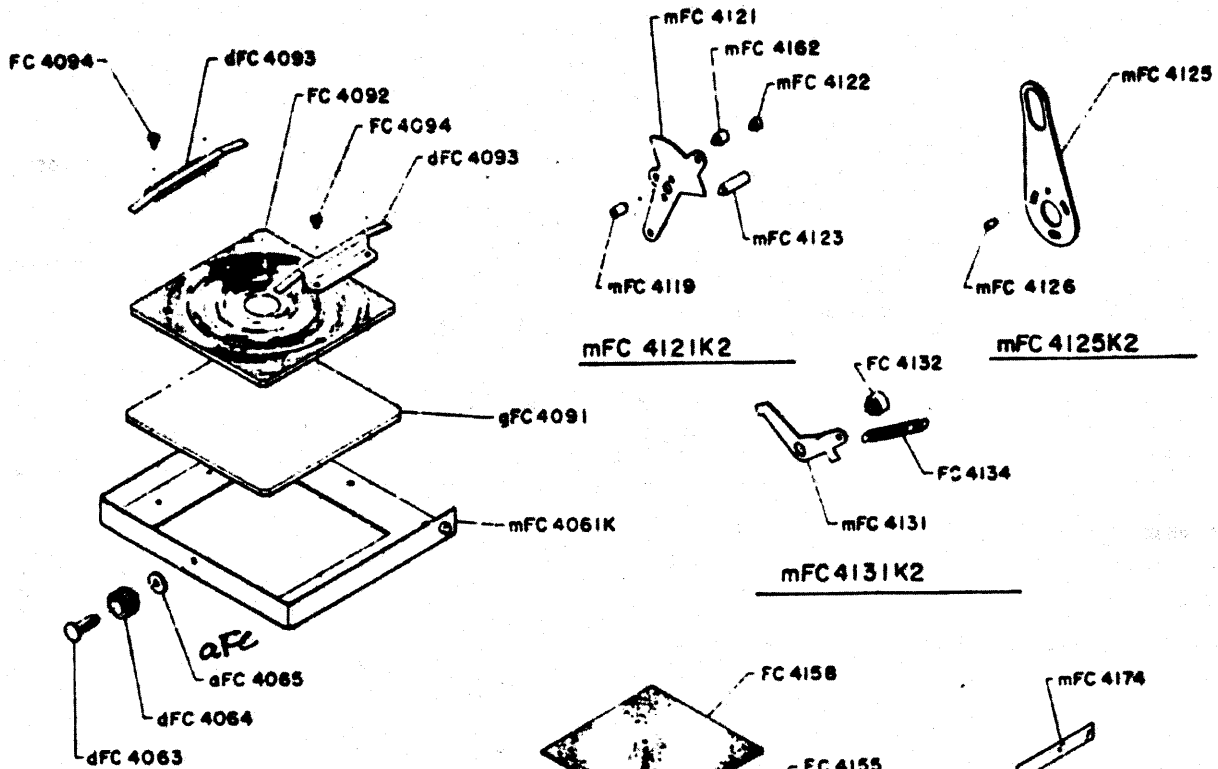
28



29







mFC 4121K2

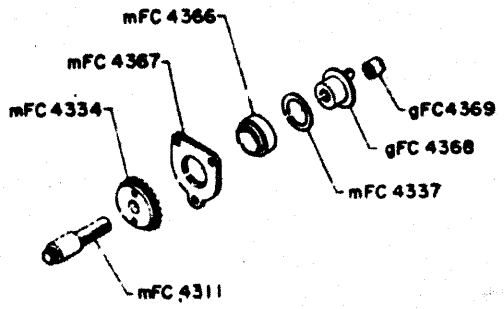
mFC 4125K2

mFC 4131K2

mFC 4061K2

mFC 4155K2

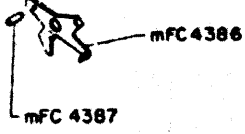
mFC 4164K2



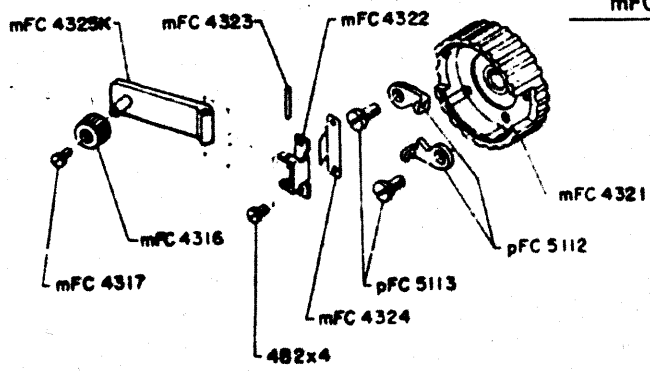
mFC 4311K2



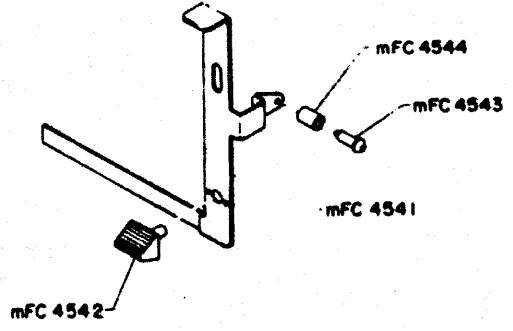
mFC 4371K2



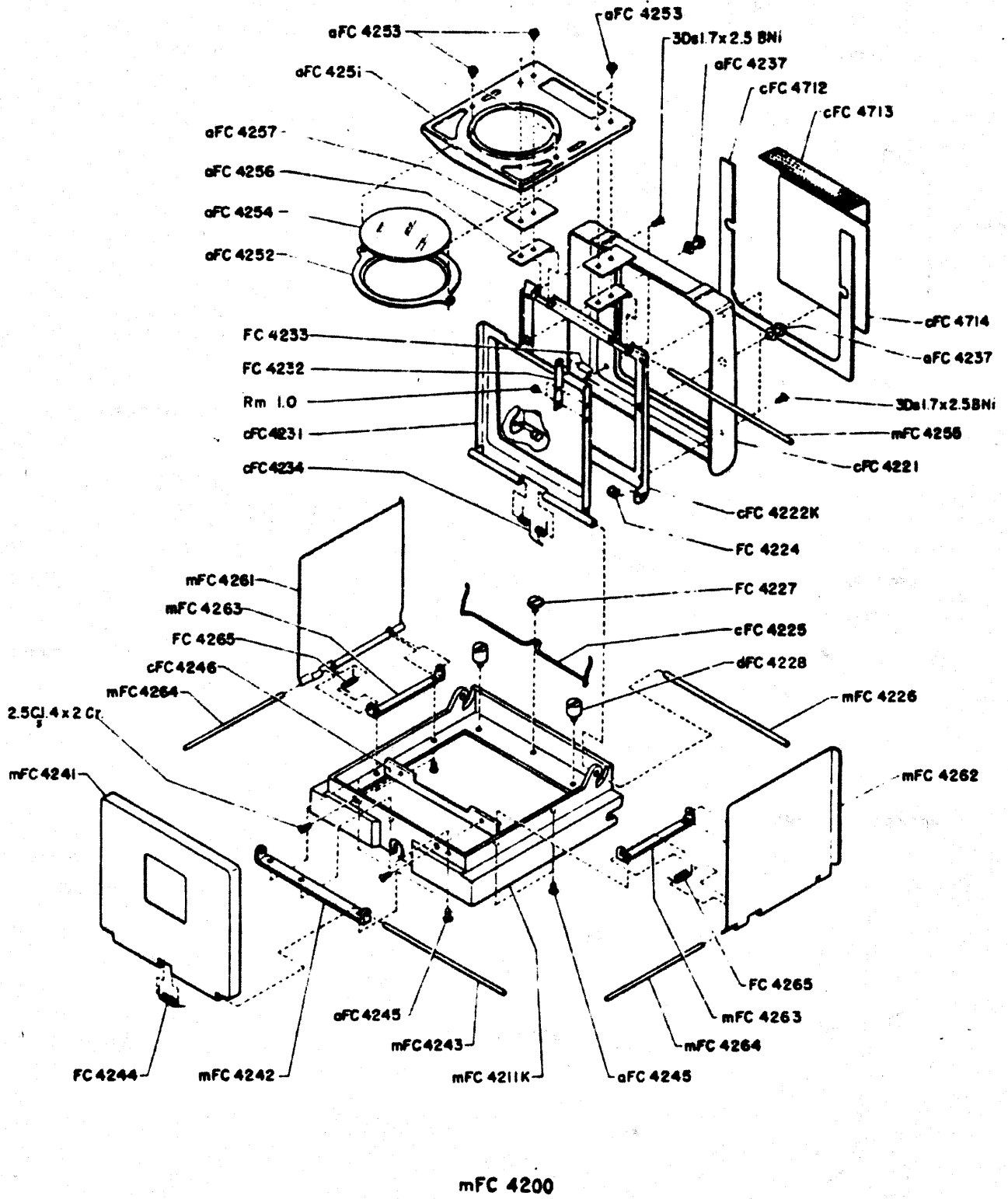
mFC 4386K2



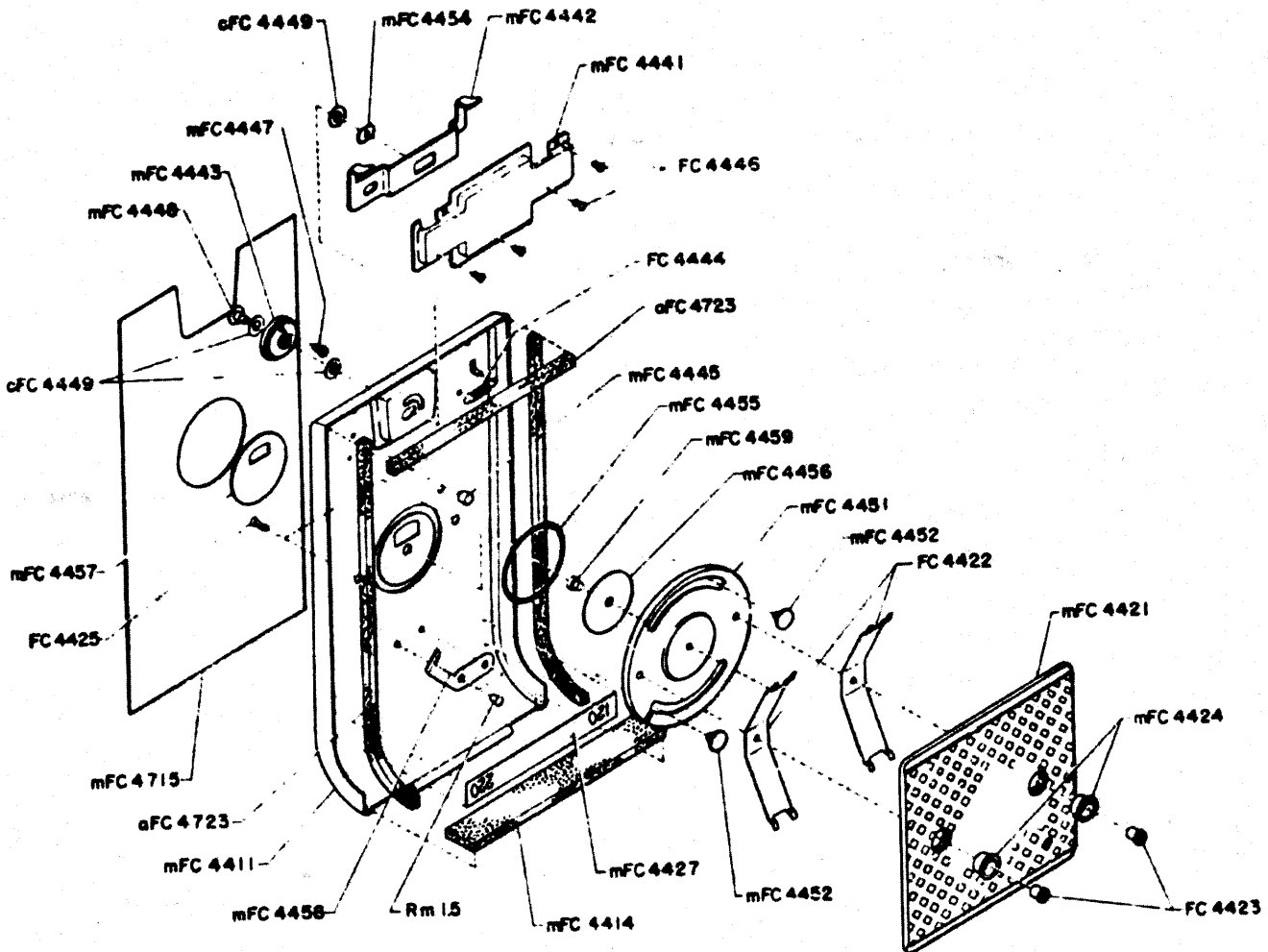
mFC 4321K2



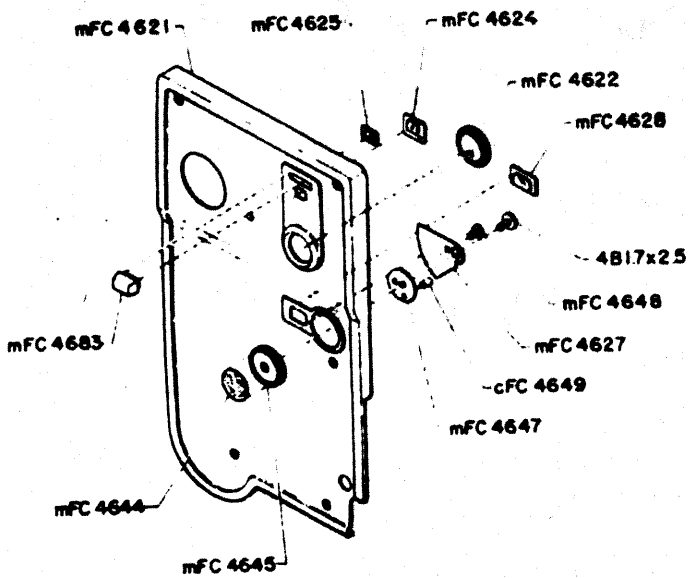
mFC 4541K2



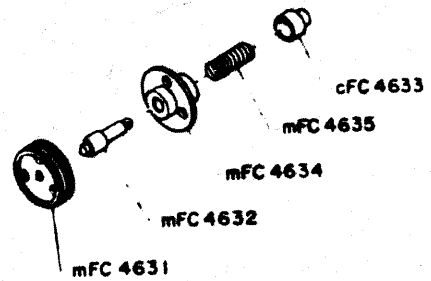




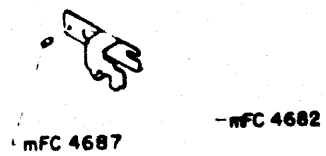
**mFC 441K2**



**mFC 462K2**



**mFC 463K2**



**mFC 4682K2**

34

PARTS LIST

METHOD OF REQUESTING SPARE PARTS FOR REPAIR USE

When ordering spare parts for repair purposes, mark the request in the following manner after referring to our parts lists.

Spare parts are divided as follows:

- Not considered usable for repairing ..... x
- Can be supplied ..... o
- Not available individually but supplied as subassembled parts ..... x\*
- Can be supplied either as individual parts or as subassemblies ..... o\*

NOTE:

When ordering spare parts, always type the complete code and numbers in the Parts No. column of the appropriate parts lists.

EXAMPLE:

(Model and nomenclature of camera)

Parts No.	Description	Quantity
mFC 4012	Bottom cover	5
mFC 4125K2	Lever assembly	5
hFC 4381	Friction milled wheel	5
pFC 5116-2-4	Washer	20
3Bs 1.7 x 2.5 BNi	Screw	20
1'B 1.7 x 2.5 B	Screw	20

Parts No.	Common Parts No.	Description	Pcs.	Term of sale	Ref. page	Remarks
mFC 4011		Camera body	1	x	4	
mFC 4012		Bottom cover	1	o	.	
mFC 4013		Hinge shaft	1	o	1	
PD2x3BN1		Screw for mFC 4012	6	o	1	
mFC 4019		Film spool holder	1	o	2	
mFC 4021		Tripod socket	1	o	2	
cFC 4022		Leatherette for Tripod socket	1	o	1	
mFC 4023		Right strap loop	1	o	2	
PD2x3.5B		Screw for mFC 4023 & 4025	4	o	2	
mFC 4025		Left strap loop	1	o	2	
mFC 4026		Name plate	1	o	1	
PD2x5B		Screw for mFC 4021	4	o	2	
FC 4031		Film roller	2	o	2	
FC 4033		Bracket for film roller	2	o	2	
<u>hFC 4034K</u>		T-spring assy.	1	o	2	
hFC 4034		T-spring	1	x <sup>o</sup>		
hFC 4035		T-spring roller	1	x <sup>o</sup>		
3Ds 1.7x3.5BN1		Screw for FC 4032 & 4033	4	o	2	
aFC 4042		Catch plate	1	o	2	
hFC 4043		Screw	2	o	2	

Parts No.	Common Parts No.	Description	Pcs.	Term of sale	Ref. page	Remarks
FC 4027	mFC 4044	Nut	2	o	2	
FC 4047		Screw	3	o	2	
FC 4048		Leaf spring	1	o	2	
FC 4051		Mirror	1	o	2	
aFC 4052		Bracket for mirror	1	o	2	
aFC 4053		Spring for clamp mirror	1	o	2	
4B 1.7x2 BN1		Screw for aFC 4053	1	o	2	
3Bs 1.7x3 BN1		Screw for aFC 4052	2	o	2	
PB 1.7x2.5B		Screw for aFC 4052	1	o	2	
<u>mFC 4061K2</u>		Frame, focusing screen	1	o	2.6	
- mFC 4061 K		Frame, focusing screen	1	o	6	
- FC 4062		Pin	2	x		
- dFC 4063		Screw	1	o	6	
- dFC 4064		Nut	1	o	6	
- aFC 4065		Washer	1	o	6	
aFC 4066		Screw	5	o	2	
mFC 4081		Name plate	1	o	2	
mFC 4082		Bracket	1	o	2	
PD 1.7x3 BN1		Screw for mFC 4082	3	o	2	
FC 4067	0.1 0.2 0.5	Washer	0 to 2	o	2	
4W2x0.1		Washer	0 to 2	o	2	
4W2x0.2		Washer	0 to 2	o	2	
4W2x0.5		Washer	0 to 2	o		
- gFC 4091		Ground glass	1	o*	6	

37

Parts No.	Common Parts No.	Description	Pcs.	Term of sale	Ref. page	Remarks
FC 4092		Fresnel lens	1	o°	6	
dFC 4093		Ground glass spring plate	2	o°	6	
FC 4094		Screw	4	o°	6	
mFC 4116		Knob	1	o	1	
mFC 4117		Disk	1	o	1	
mFC 4119		Boss	2	o°	6	
4B 1.7x2		Screw for mFC 4116	2	o	1	
<u>mFC 4121K2</u>		Lock lever assy.	1	o	4.6	
mFC 4121		Lock lever	1	o°	6	
mFC 4122		Lock pin	1	o°	6	
mFC 4123		Pin	1	o°	6	
mFC 4162		Pin	1	o°	6	
mFC 4124		Shoulder screw	1	o	4	
<u>mFC 4125K2</u>		Lever assy.	1	o	4.6	
mFC 4125		Lever	1	o°	6	
mFC 4126		Pin	1	o°	6	
JBs 1.7x2.5		Screw for mFC 4125K2	3	o	4	
mFC 4128		Label, "lock, unlock"	1	o	4	
mFC 4129		Window glass	1	o	1	
<u>mFC 4131K2</u>		Control lever, lock and unlock assembly	1	o	4.6	
mFC 4131		Control lever	1	o°	6	
FC 4132		Hub	1	o°	6	
FC 4133		Shoulder screw	1	o	4	
FC 4134		Spring	1	o°	6	

38

Parts No.	Common Parts No.	Description	Pcs.	Term of sale	Ref. page	Remarks
FC 4135		Shoulder screw, anchor	1	o	4	
mFC 4141		Idle gear	1	o	4	
FC 4125	mFC 4142	Shoulder screw	1	o	4	
FC 4151		Gear	1	X		
<u>dFC 4152K</u>		Gear shaft assy.	1	o	4	
dFC 4082	mFC 4153	Sleeve bearing	2	o	3&4	
dFC 4154		Safety collar	1	c	3	
<u>FC 4155K2</u>		Light-tight flap assy.	1	o	4.6	
-FC 4155		Light-tight flap	1	o°	6	
-FC 4156		Spring arm	1	o°	6	
-FC 4157		Rivet	2	o°	6	
-FC 4158		Velveteen	1	o°	6	
4B 1.7x2.5		Screw for dFC 4154	1	o	3	
3Bs 1.7x2.5BN1		Screw for FC4155K2	3	o	4	
mFC 4161		Idle lever	1	o	4	
(mFC 4162)		Pin	1	o°	6	mFC 4121F
cFC 4163		Hub	1	o°	6	
<u>mFC 4164K2</u>		Red warning signal	1	o	4.6	
-mFC 4164		Signal arm	1	o°	6	
-mFC 4174		Red signal	1	o°	6	
5B 1.7x3		Screw for mFC 4164K2	1	o	4	
mFC 4172		Hollow cover	1	o	4	
mFC 4173		Guid plate	1	o	4	
(mFC 4174)		Red signal	1	o°	6	mFC 4164A
PD 1.7x2.5B		Screw for mFC 4172	3	o	4	

Parts No.	Common Parts No.	Description	Pcs.	Term of sale	Ref. page	Remarks
PB 1.7x2B		Screw for mFC 4173	1	o	4	
mFC 4181		unlock lever	1	o	4	
mFC 4187		Shoulder screw	2	o	4	
gFC 4191		Pawl	1	o	3	
dFC 4086	mFC 4192	Shoulder screw	1	o	3	
gFC 4194		Spring for pawl complete	1	o	3	
<u>mFC 4200</u>		Focusing hood	1	o	1. 7	
<u>mFC 4211K</u>		Frame assy.	1	o°	7	
mFC 4211		Frame	1	x°		
mFC 4212		Bearing	2	x°		
cFC 4221		Finder frame	1	o°	7	
<u>cFC 4222K</u>		Finder frame assy.	1	o°	7	
cFC 4222		Finder frame	1	x°		
FC 4223		Bearing	2	x°		
FC 4224		Spring anchor	2	o°	7	
cFC 4225		Spring	1	o°	7	
mFC 4226		Shaft	1	o°	7	
FC 4227		Shoulder screw	1	o°	7	
dFC 4228		Screw	2	o°	7	
3Ds 1.7x2.5Bni		Screw for cFC 4221	4	o°	7	
cFC 4231		Finder flap	1	o°	7	
FC 4232		Arm plate	1	o°	7	
FC 4233		Pin	1	o°	7	
cFC 4234		Spring	1	o°	7	
aFC 4237		Pin	2	o°	7	
Rm 1.0		Rivet for FC 4232	2	o°	7	

Parts No.	Common Parts No.	Description	Pcs.	Term of sale	Ref. page	Remarks
mFC 4241		Rear plate	1	o°	7	
mFC 4242		Bracket	1	o°	7	
mFC 4243		Shaft	1	o°	7	
FC 4244		Spring	1	o°	7	
aFC 4245		Screw	7	o°	7	
cFC 4246		Stopper plate	1	o°	7	
2.50Gal.4x2Cr		Screw for cFC 4246	2	o°	7	
aFC 4251		Plate	1	o°	7	
aFC 4252		Retainer	1	o°	7	
aFC 4253		Rivet	6	o°	7	
aFC 4254		Magnifying glass	1	o°	7	
mFC 4255		Shaft	1	o°	7	
aFC 4256		Spring plate	2	o°	7	
aFC 4257		Plate	2	o°	7	
mFC 4261		Right plate	1	o°	7	
mFC 4262		Left plate	1	o°	7	
mFC 4263		Bracket	2	o°	7	
mFC 4264		Shaft	2	o°	7	
FC 4265		Spring	2	o°	7	
<u>mFC 4311K2</u>		Film winding gear assy.	1	o	3.6	
mFC 4311		Winding shaft	1	o°	6	
mFC 4334		Winding gear	1	o°	6	
mFC 4337		Washer	0 to 1	o°	6	
mFC 4366		Bearing	1	o°	6	
mFC 4367		Plate	1	o°	6	



Parts No.	Common Parts No.	Description	Pcs.	Term of sale	Ref. page	Remarks
-gFC 4368		Coupler for spool	1	o°	6	
-gFC 4369		Nut	1	o°	6	
-pFC 5112	mFC 4312	Ratchet pawl	2	o°	6	
-pFC 5113	mFC 4313	Shoulder screw	2	o°	6	
-pFC 5111	mFC 4314	Ratchet wheel	1	o	1	
-pFC 5115	mFC 4315	Spring	1	o	1	
-mFC 4316		Knob	1	o°	6	
-mFC 4317		Shoulder screw	1	o°	6	
-dWP 1794	mFC 4318	Shoulder screw	1	o	3	
-mFC 4319		Knob cover	1	o	1	
-3Ds2x3Cr		Screw for mFC 4319	1	o	1	
-mFC 4321K2		Film winding knob assy.	1	o	1.6	
-mFC 4321		Film winding knob	1	o°	6	
-mFC 4322		Bracket	1	o°	6	
-mFC 4323		Shaft	1	o°	6	
-mFC 4324		Spring	1	o°	6	
-mFC 4325K		Winding lever assy.	1	o°	6	
-mFC 4325		Winding lever	1	x°		
-mFC 4326		Boss	1	x°		
-mFC 4327		Idle gear	1	o	3	
-mFC 4328		Shoulder screw	1	o	3	
-cFC 4329		Pointer	1	o	4	
-4B2x4		Screw for mFC 4322	2	o°	6	
-gFC 4331		Pawl	1	o	3	
-mFC 4332		Shoulder screw	1	o	3	
-mFC 4333		Spring	1	o	3	

Parts No.	Common Parts No.	Description	Pcs.	Term of sale	Ref. page	Remarks
(mFC 4334)		Winding gear	1	o°	6	mFC4311K2
pFC 5116-1	mFC 4335	Washer	1	o	1	
pFC 5116-2-4	mFC 4335	Washer	0 to 3	o		
(mFC 4337)		Washer	0 to 2	o°	6	mFC4311K2
cFC 4351		Shoulder screw	1	o	3	
mFC 4352		Counter	1	o	3	
mFC 4353		Counter base	1	x°		
<u>mFC 4354K2</u>		Dividing disk assy.	1	o	3	
hFC 4354		Dividing disk	1	x°		
hFC 4355		Auxiliary dividing disk	1	x°		
cFC 4356		Pin	1	x°		
cFC 4357		Pin	1	x°		
hFC 4358		Spring	1	x°		
mFC 4359		Spring	1	o	3	
FC 4379		Screw	3	x°		
mFC 4361		Lever, counter reset	1	o	3	
mFC 4362		Shoulder screw	1	o	3	
cFC 4363		Flanged screw, anchor	1	o	3	
mFC 4364		Spring	1	o	3	
mFC 4365		Stopper	1	o	3	
(mFC 4366)		Bearing	1	o°	6	mFC4311K2
(mFC 4367)		Plate	1	o°	6	mFC4311K2
(gFC 4368)		Coupler for spool	1	o°	6	mFC4311K2
(gFC 4369)		Nut	1	o°	6	mFC4311K2
3Bs 1.7x3BN1		Screw for mFC 4311K2	2	o	3	

Parts No.	Common Parts No.	Description	Pcs.	Term of sale	Ref. page	Remarks
<u>mFC 4371K2</u>		Lever, counter reset assy.	1	o	3.6	
-mFC 4371		Lever, counter reset	1	o	6	
-mFC 4372		Gear	1	o	3	
-mFC 4373		Hub	1	o	6	
-PD 1.7x3		Screw for mFC 4311K2	1	o	3	
-mFC 4375		Base	1	o	6	
cFC 4376		Flanged screw	1	o	3	
2.5Bx1.4x2.5		Screw for mFC 4352	3	o	3	
cFC 4378		Spring	1	o	3	
(cFC 4379)		Screw	3	x		mFC4354K2
PB1.7x2.5B		Screw for mFC 4365	2	o	3	
hFC 4381		Friction milled wheel	1	o	4	
mFC 4382		Shaft, friction wheel	1	o	4	
hFC 4383		Gear	1	o	3	
mFC 4384		Spring	1	o	4	
mFC 4385		Flanged screw, anchor	1	o	4	
<u>mFC 4386K2</u>		Wind stop lever assy.	1	o	3.6	
-mFC 4386		Wind stop lever	1	o	6	
-mFC 4387		Pin	1	o	6	
cFC 4344	mFC 4388	Shoulder screw	1	o	3	
cFC 4389		Spring	1	o	3	
mFC 4391		Slider bar	1	o	3	
cFC 4393		Spring	1	o	3	
mFC 4394		Shoulder screw	1	o	3	
dFC 4395		Shoulder screw	1	o	3	
mFC 4396		Latch	1	o	3	

Parts No.	Common Parts No.	Description	Pcs.	Term of sale	Ref. page	Remarks
mFC 4397		Shoulder screw	1	o	3	
cFC 4398		Spring	1	o	3	
<u>mFC 441K2</u>		Back cover assy.	1	o	1.8	
-mFC 4411		Back cover	1	o°	3	
-mFC 4414		Light tight strip	1	o°	8	
-mFC 4421		Film pressure plate	1	o°	8	
-FC 4422		Leaf spring	2	o°	8	
-FC 4423		Nut	2	o°	8	
-mFC 4424		Boss	2	o°	8	
-FC 4425		Screw	2	o°	8	
-mFC 4427		Label, 120,220	1	o°	8	
-mFC 4441		Latch cover	1	o°	8	
-mFC 4442		Latch	1	o°	8	
-mFC 4443		Knob	1	o°	8	
FC 4444		Spring	1	o°	8	
mFC 4445		Anchor	1	o°	8	
FC 4446		Screw	4	o°	8	
-mFC 4447		Pin	1	o°	8	
-mFC 4448		Hub	1	o°	8	
-cFC 4449		Spring	0 to 1	o°	8	
-mFC 4451		Base plate	1	o°	8	
-mFC 4452		Shoulder rivet	2	o°	8	
-mFC 4454		Collar	1	o°	8	
-mFC 4455		Light tight strip	1	o°	8	
-mFC 4456		Disk, 120,220	1	o°	8	
-mFC 4457		Disk window	1	o°	8	

60

Parts No.	Common Parts No.	Description	Pcs.	Term of sale	Ref. page	Remarks
mFC 4458		Click	1	o°	8	
Rm 1.5		Rivet for mFC 4458	2	o°	8	
mFC 4459		Hub	1	o°	8	
mFC 4715		Leatherette	1	o°	8	
aFC 4723		Light tight strip	3	o°	8	
mFC 4511		Front panel	1	x	5	
mFC 4512		Plate, bottom cover	1	o	5	
2.5Da1.7x2BN1		Screw for mFC 4512	3	o	5	
mFC 4514		Front cover	1	o	5	
3Ca1.7x2Cr		Screw for mFC 4514	2	o	5	
mFC 4516		Bracket	1	o	5	
mFC 4517		Cable release socket	1	o	5	
mFC 4518		Nut	1	o	5	
2.5Ba1.7x3 Cr		Screw for mFC 4516	2	o	5	
<u>mFC 4521K</u>		Safety lever, lens catch	1	o	5	
mFC 4521		Safety lever	1	x°		
FC 4522		Anchor screw	1	x°		
aFC 4523		Shoulder screw	1	o	5	
FC 4524		Spring	1	o	5	
mFC 4531		Wire spring, lens catch	1	o	5	
cFC 4532		knob	1	o	5	
aFC 4533		Clamp	2	o	5	
aFC 4535		Screw	4	o	5	
cFC 4536 - 1		Washer	3	o	5	
<u>mFC 4541K2</u>		Slide assy.	1	o	5.6	
mFC 4541		Slide	1	o°	6	

Parts No.	Common Parts No.	Description	Pcs.	Term of sale	Ref. page	Remarks
	mFC 4542	Button	1	o°	6	
	mFC 4543	Shaft-rivet	1	o°	6	
	mFC 4544	Collar	1	o°	6	
cFC 4546		Screw	1	o	5	
cFC 4547		Screw	1	o	5	
cFC 4548		Spring	1	o	5	
cFC 4549		Shoulder screw anchor	1	o	5	
mFC 4551		Frame	1	o	5	
3Da2x4Cr		Screw for mFC 4551	4	o	5	
<u>mFC 4561K</u>		Large bellows assy.	1	o	5	
	mFC 4561	Large bellows	1	x°		
	aFC 4562	Front frame	1	x°		
	mFC 4563	Rear frame	1	x°		
<u>aFC 4564K</u>		Small bellows assy.	1	o	5	
	aFC 4564	Small bellows	1	x°		
	aFC 4565	Front frame	1	x°		
	aFC 4566	Rear frame	1	x°		
aFC 4567		Screw	10	o	5	
2.5Dø1.4x2.5BN1		Screw for aFC 4564K	4	o	5	
2.5Bø1.4x2.5BN1		Screw for mFC 4561K	6	o	5	
mFC 4611		Right panel	1	o	1	
mFC 4617		Distance scale plate (ft)	1	o	1	
mFC 4617		Distance scale plate (m) (1)	1	o	(1)	
PD 2xJB		Screw for mFC 4611 & 4621K2	10	o	1	
PD2x5B		Screw for mFC 4611 & 4621K2	2	o	1	

Parts No.	Common Parts No.	Description	Pcs.	Term of sale	Ref. page	Remarks
<u>mFC 4621K2</u>		Left panel assy.	1	o	1.8	
-mFC 4621		Left panel	1	o°	8	
-mFC 4622		Window for counter	1	o°	8	
-mFC 4624		Window for 120,220 film	1	o°	8	
-mFC 4625		Clamp	1	o°	8	
-mFC 4627		Plate	1	o°	8	
-mFC 4628		Window for 4627	1	o°	8	
-mFC 4644		Disk	1	o°	8	
-mFC 4645		Knob	1	o°	8	
-mFC 4647		Disk	1	o°	8	
-mFC 4648		Screw	1	o°	8	
-4B 1.7x2.5		Screw for mFC 4647	1	o°	8	
-cFC 4649		Pin for 4647	1	o°	8	
-mFC 4683		Button	1	o°	8	
<u>mFC 4631K2</u>		Knob assy.	2	o	4.8	
-mFC 4631		Knob	2	o°	8	
-mFC 4632		Shaft	2	x°	8	
-cFC 4633		Core for spool holder	2	o°	8	
-mFC 4634		Flange	2	o°	8	
-mFC 4635		Spring	2	o°	8	
2.5Cs 1.4x1.5 Cr		Screw for mFC 4617	2	o	1	
3Bs 1.7x3Cr		Screw	6	o	4	
mFC 4651		Right rack plate	1	o	5	
mFC 4652		Left rack plate	1	o	5	
mFC 4653		Stopper	2	o	5	
mFC 4654		Exposure factor scale	1	o	5	
FC 4655		Screw	2	o	5	
FC 4656		Screw	3	o	5	

Parts No.	Common Parts No.	Description	Pcs.	Term of sale	Ref. page	Remarks
mFC 4657		Strip for rack plate	0 to 1	o	5	
mFC 4658		Distance scale plate (curve-line)	1	o	5	
3D 2x4Cr		Screw for mFC 4651 & 4652	8	o	5	
25Cs 1.4x2.5Cr		Screw for mFC 4654	1	o	5	
mFC 4661		Focusing knob	2	o	3	
aFC 4662		Nut	2	o	3.4	
cFC 4663		Disk	2	o	3.4	
mFC 4664		Pinion shaft	1	o	4	
mFC 4665		Pinion shaft bearing	2	o	3.4	
dFC 4668		Synthetic tube	2	o	3.4	
JBs 1.7x3Cr		Screw for mFC 4665	4	o	3.4	
SN 149	hFC 4669	Screw	2	o	3.4	
mFC 4671		Guide plate for 4651	1	o	4	
mFC 4672		Guide plate for 4652	1	o	3	
aFC 4673		Brake spring	2	o	3.4	
dFC 4674		Brake bar	2	o	3.4	
mFC 4675		Strip for 4671, 4672	0 to 1	o	3.4	
aFC 4677		Screw	6	o	3.4	
dFC 4678		Hole cover	2	o	3.4	
FC 4655	aFC 4679	Screw	4	o	3.4	
mFC 4681		plate "220 120"	1	o	3	
mFC 4682K2		Slider assy.	1	o	3.P	
mFC 4682		Slider	1	o	8	
(mFC 4683)		Button	1	o	8	mFC4621K2
mFC 4684		Shoulder screw	1	o	3	



Parts No.	Common Parts No.	Description	Pcs.	Term of sale	Ref. page	Remarks
	mFC 4685	Lever	1	o	3	
	mFC 4686	Shoulder screw	1	o	3	
	mFC 4687	Pin	1	o°	8	
	mFC 4688	Click	1	o	3	
	mFC 4689	Shoulder screw	1	o	3	
	cFC 4712	Leatherette for hood	1	o	7	
	cFC 4713	Leatherette for hood end	1	o	7	
	cFC 4714	Leatherette for flap	1	o	7	
	(mFC 4715)	Leatherette for back cover	1	o°	8	mFC 4411K2
	mFC 4716	Leatherette for right panel	1	o	1	
	mFC 4717	Leatherette for left panel	1	o	1	
	cFC 4718	Leatherette for knob	2	o	4	
	cFC 4721	Leatherette for focusing knob	2	o	3.4	
	(mFC 4723)	Light tight strip	3	o°	8	mFC 4411K2
	aFC 4724	Light tight strip	1	o	5	