

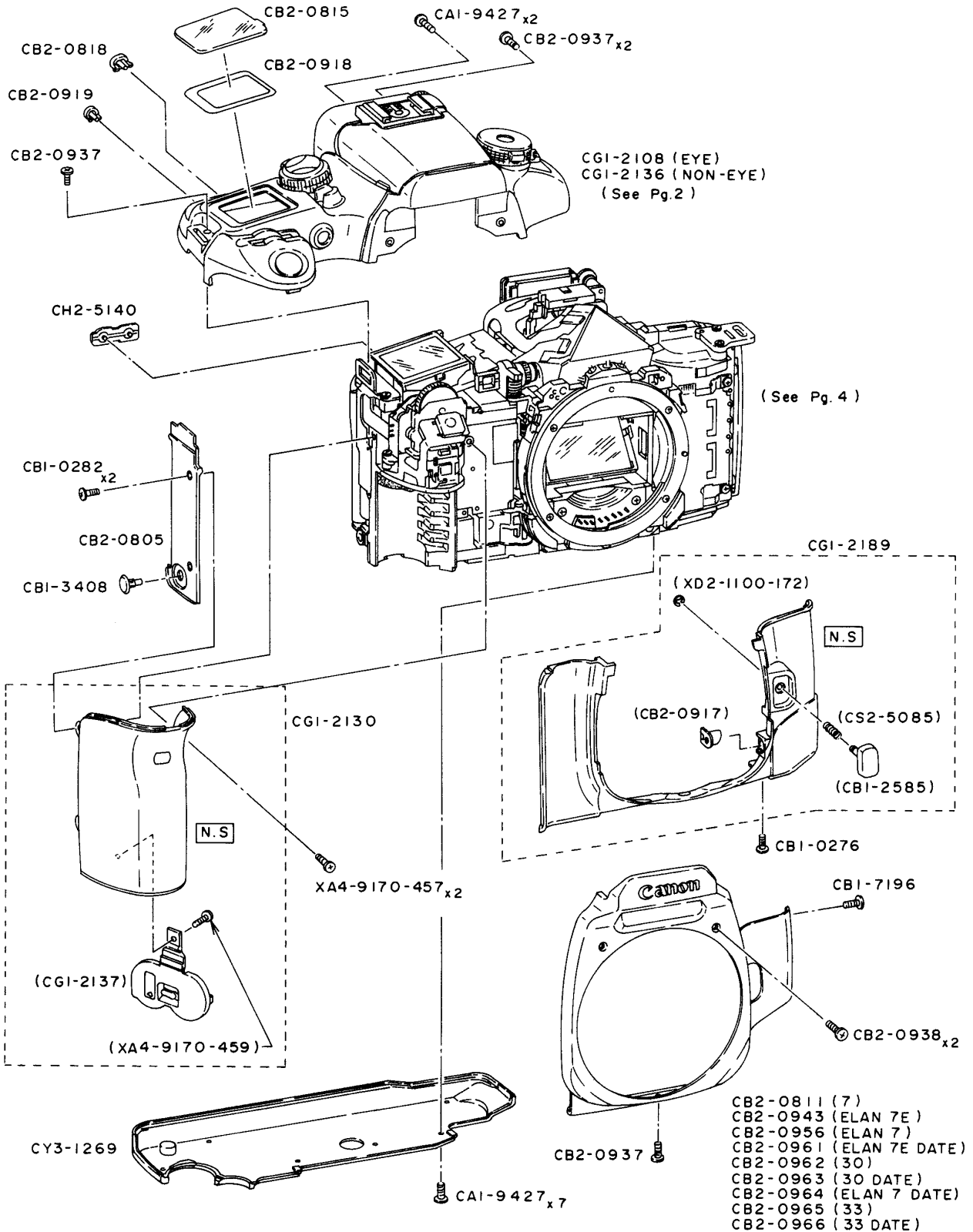
Canon

EOS 7	REF.No.C12-8451
EOS ELAN 7E / DATE	C12-8453 / 8454
EOS 30 / DATE	C12-8456 / 8457
EOS ELAN 7 / DATE	C12-8463 / 8464
EOS 33 / DATE	C12-8466 / 8467

PARTS CATALOG

**CANON EOS 7
EOS ELAN 7E/DATE
EOS 30/DATE
EOS ELAN 7/DATE
EOS 33/DATE**

REF. NO. C12-8451
C12-8453/8454
C12-8456/8457
C12-8463/8464
C12-8466/8467



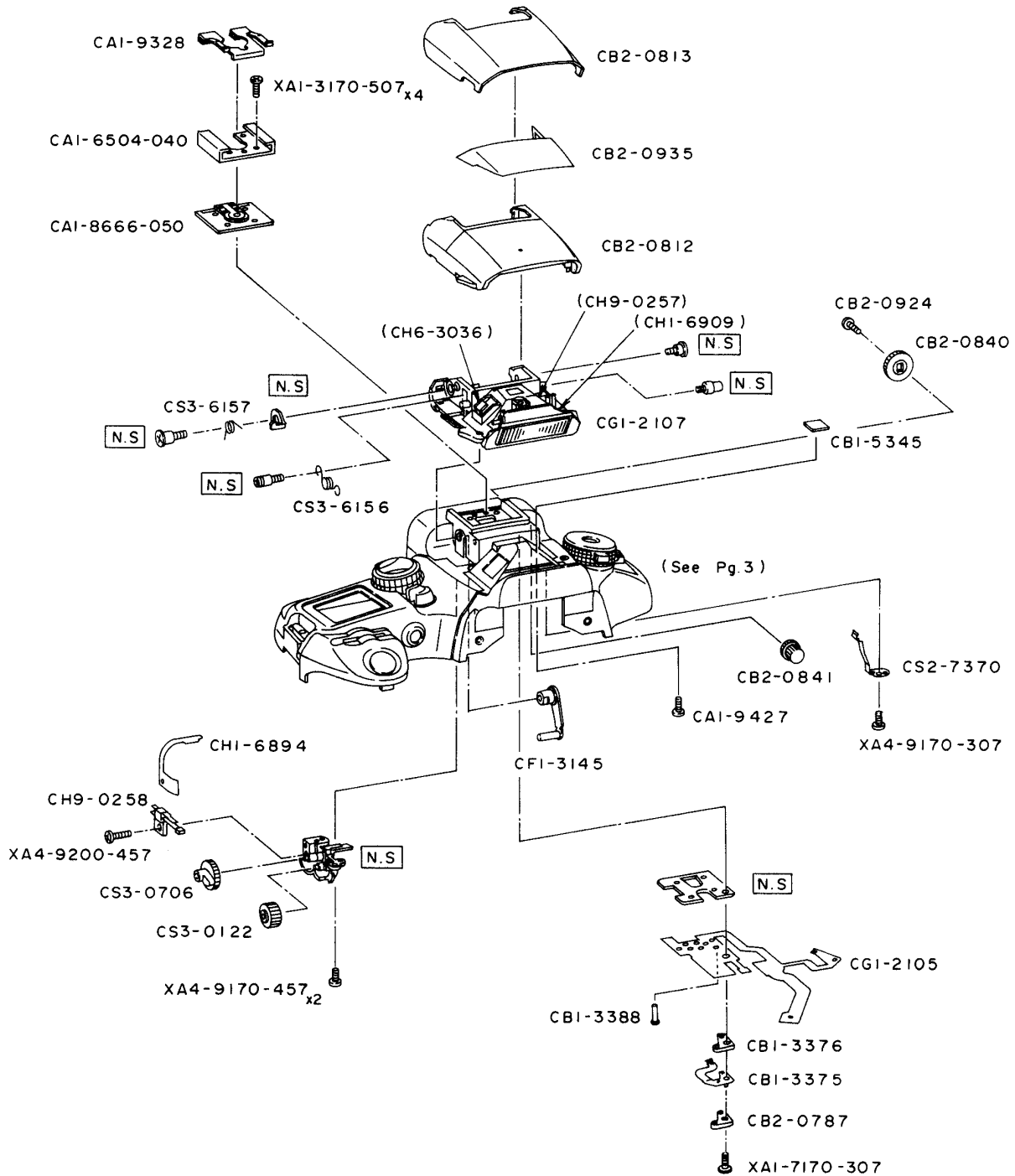
PARTS LIST

REF.No. C12-8451
 C12-8453/8454
 C12-8456/8457
 C12-8463/8464
 C12-8466/8467

NEW	PARTS No.	CLASS	QTY	DESCRIPTION
	CA1-9427-000 000	F	9	SCREW
	CB1-0276-000 000	F	1	SCREW
	CB1-0282-000 000	F	2	SCREW
	CB1-2585-000 000	E	1	BUTTON, ANLOCK
	CB1-3408-000 000	C	1	CAP, REMOTE
	CB1-7196-000 000	D	1	SCREW
*	CB2-0805-000 000	C	1	COVER, HINGE
*	CB2-0811-000 000	C	1	COVER, FRONT (7)
*	CB2-0815-000 000	C	1	WINDOW, OUTSIDE LCD
*	CB2-0818-000 000	C	1	BUTTON, AE LOCK
*	CB2-0917-000 000	C	1	BUTTON, PRE VIEW
*	CB2-0918-000 000	C	1	TAPE, DOUBLE SIDED
*	CB2-0919-000 000	C	1	BUTTON, AF
*	CB2-0937-000 000	C	4	SCREW
*	CB2-0938-000 000	C	2	SCREW
*	CB2-0943-000 000	C	1	COVER, FRONT (ELAN 7E)
*	CB2-0956-000 000	C	1	COVER, FRONT (ELAN 7)
*	CB2-0961-000 000	C	1	COVER, FRONT (ELAN 7E DATE)
*	CB2-0962-000 000	C	1	COVER, FRONT (30)
*	CB2-0963-000 000	C	1	COVER, FRONT (30 DATE)
*	CB2-0964-000 000	C	1	COVER, FRONT (ELAN 7 DATE)
*	CB2-0965-000 000	C	1	COVER, FRONT (33)
*	CB2-0966-000 000	C	1	COVER, FRONT (33 DATE)
*	CG1-2108-000 000	C	1	COVER ASS'Y, TOP (EYE)
*	CG1-2130-000 000	C	1	GRIP UNIT
*	CG1-2136-000 000	C	1	COVER ASS'Y, TOP (NON-EYE)
*	CG1-2137-000 000	C	1	BATTERY COVER UNIT
*	CG1-2189-000 000	C	1	COVER ASS'Y, FRONT BASE
	CH2-5140-000 000	D	1	CONTACT, RUBBER
	CS2-5085-000 000	D	1	SPRING, COIL
*	CY3-1269-000 000	C	1	COVER, BOTTOM
	XA4-9170-457 000	F	2	SCREW
	XA4-9170-459 000	F	1	SCREW
	XD2-1100-172 000	F	1	E RING

CANON EOS 7
EOS ELAN 7E/DATE
EOS 30/DATE
EOS ELAN 7/DATE
EOS 33/DATE

REF. NO. C12-8451
C12-8453/8454
C12-8456/8457
C12-8463/8464
C12-8466/8467



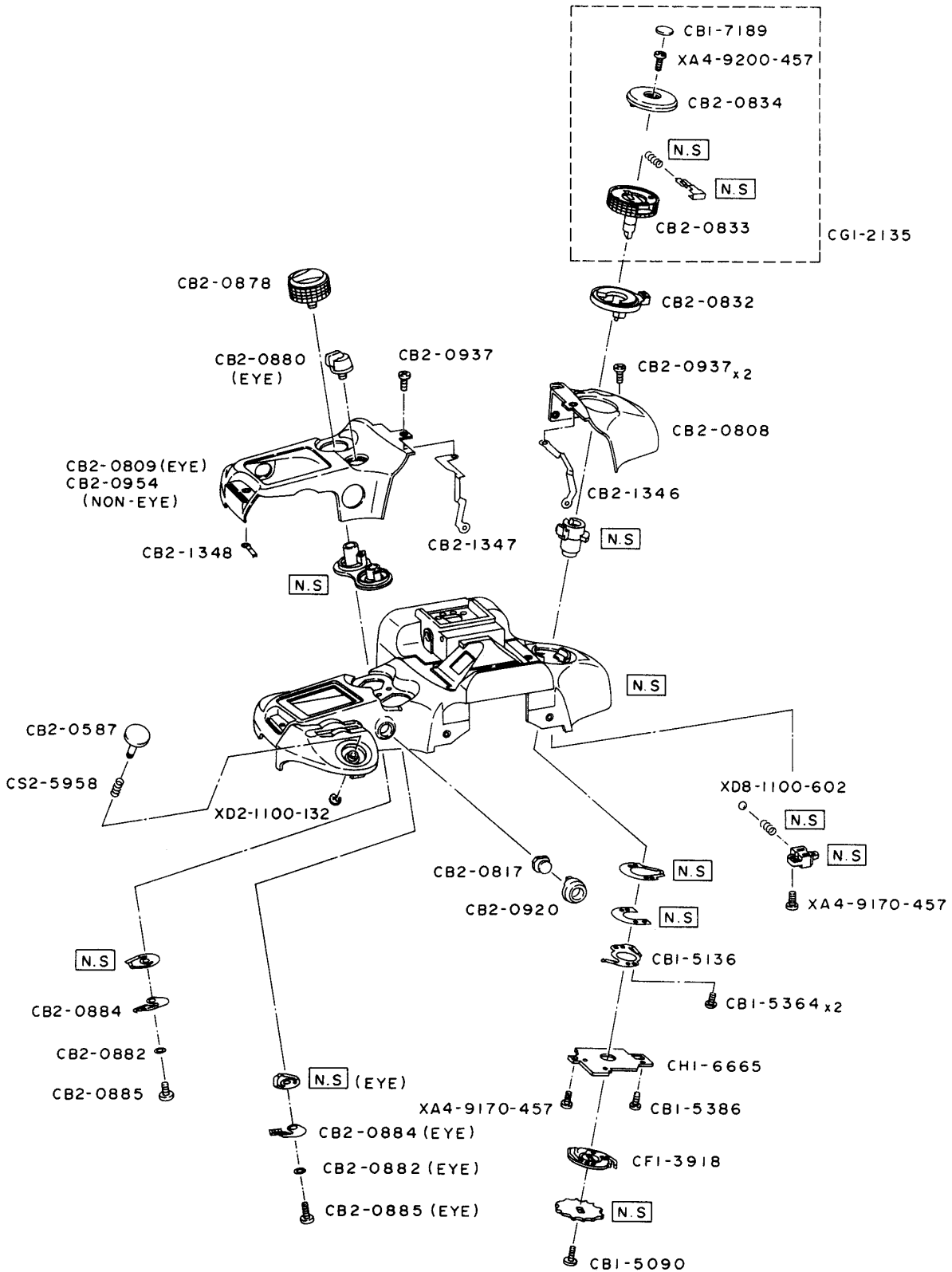
PARTS LIST

REF.No. C12-8451
 C12-8453/8454
 C12-8456/8457
 C12-8463/8464
 C12-8466/8467

NEW	PARTS No.	CLASS	QTY	DESCRIPTION
	CA1-6504-040 000	E	1	SHOE, ACCESSORY
	CA1-8666-050 000	E	1	BASE, ACC. SHOE
	CA1-9328-000 000	E	1	SPRING, PLATE
	CA1-9427-000 000	F	1	SCREW
	CB1-3375-000 000	E	1	CONTACT, SHOE IN USE
	CB1-3376-000 000	E	1	BASE, SHOE IN USE 1
	CB1-3388-000 000	E	1	PIN, ACCESSORY SHOE
*	CB1-5345-000 000	C	1	PLATE, MASK
*	CB2-0787-000 000	C	1	BASE, SHOE IN USE 2
*	CB2-0812-000 000	C	1	COVER, FLASH INNER
*	CB2-0813-000 000	C	1	COVER, FLASH OUTER
*	CB2-0840-000 000	C	1	DIAL, DIOPTRIC
*	CB2-0841-000 000	C	1	GEAR, DIOPTRIC
*	CB2-0924-000 000	C	1	SCREW
*	CB2-0935-000 000	C	1	PLATE, FLASH SHIELD
	CF1-3145-000 000	C	1	FLASH UP LEVER UNIT
*	CG1-2105-000 000	C	1	PCB ASS'Y, TOP
*	CG1-2107-000 000	C	1	FLASH CASE UNIT
*	CH1-6894-000 000	C	1	FPC, POPCTR
*	CH1-6909-000 000	C	1	FPC, POPEND
	CH6-3036-000 000	E	1	COIL, TRIGGER
*	CH9-0257-000 000	C	1	SWITCH, FLASH POP-UP
	CH9-0258-000 000	E	1	SWITCH, LEAF
*	CS2-7370-000 000	C	1	PLATE, DIOPT CLICK
	CS3-0122-000 000	E	1	GEAR, FLASH 4
*	CS3-0706-000 000	C	1	GEAR, FLASH CAM
*	CS3-6156-000 000	C	1	SPRING, FLASH
*	CS3-6157-000 000	C	1	SPRING, FLASH LEVER
	XA1-3170-507 000	F	4	SCREW
	XA1-7170-307 000	F	1	SCREW
	XA4-9170-307 000	F	1	SCREW
	XA4-9170-457 000	F	2	SCREW
	XA4-9200-457 000	F	1	SCREW

CANON EOS 7
 EOS ELAN 7E/DATE
 EOS 30/DATE
 EOS ELAN 7/DATE
 EOS 33/DATE

REF. NO. C12-8451
 C12-8453/8454
 C12-8456/8457
 C12-8463/8464
 C12-8466/8467



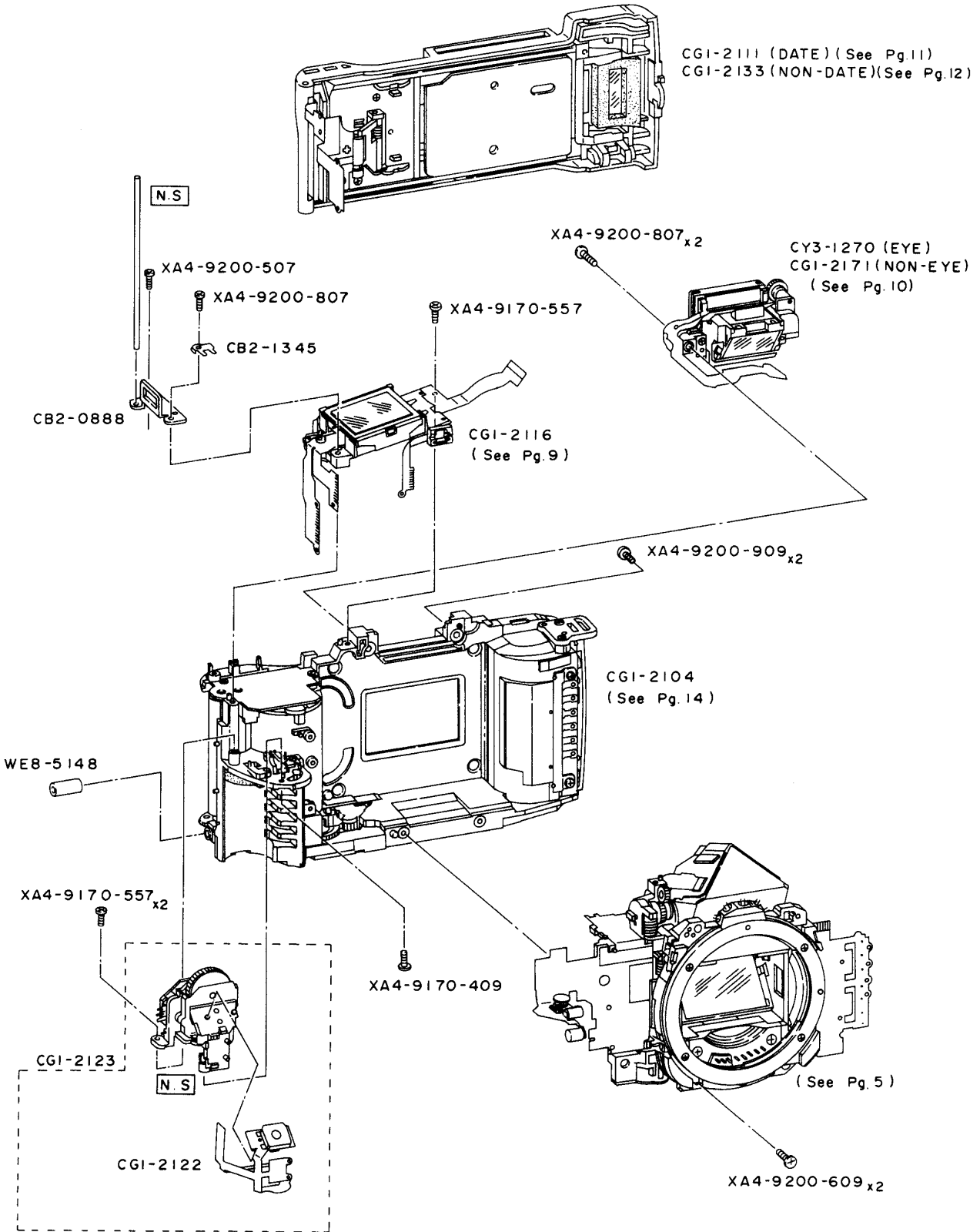
PARTS LIST

REF.No. C12-8451
 C12-8453/8454
 C12-8456/8457
 C12-8463/8464
 C12-8466/8467

NEW	PARTS No.	CLASS	QTY	DESCRIPTION
	CB1-5090-000	000	F 1	SCREW
	CB1-5136-000	000	E 1	CONTACT, METERING, DIAL
	CB1-5364-000	000	F 2	SCREW
	CB1-5386-000	000	F 1	SCREW
	CB1-7189-000	000	D 1	CAP, BLIND (BLACK)
*	CB2-0587-000	000	C 1	BUTTON, RELEASE
*	CB2-0808-000	000	C 1	COVER, TOP L
*	CB2-0809-000	000	C 1	COVER, TOP R (EYE)
*	CB2-0817-000	000	C 1	PANEL, LAMP
*	CB2-0832-000	000	C 1	DIAL, FILM ADVANCE MODE
*	CB2-0833-000	000	C 1	DIAL, COMMAND
*	CB2-0834-000	000	C 1	COVER, COMMAND DIAL
*	CB2-0878-000	000	C 1	DIAL, AF MODE
*	CB2-0880-000	000	C 1	DIAL, EYE CONTROL SWITCH
*	CB2-0882-000	000	C 2	WASHER, DIAL
*	CB2-0884-000	000	C 2	CONTACT, DIAL
*	CB2-0885-000	000	C 2	SCREW
*	CB2-0920-000	000	C 1	COVER, LAMP
*	CB2-0937-000	000	C 3	SCREW
*	CB2-0954-000	000	C 1	COVER, TOP R (NON-EYE)
*	CB2-1346-000	000	C 1	PLATE, RAG (TOP L)
*	CB2-1347-000	000	C 1	PLATE, RAG (TOP R)
*	CB2-1348-000	000	C 1	SPRING, RAG (TOP R)
*	CF1-3918-000	000	C 1	LD MARKER HOLDER UNIT
*	CG1-2135-000	000	C 1	LD TOP UNIT
	CH1-6665-000	000	D 1	PCB, COMMAND DIAL
*	CS2-5958-000	000	C 1	SPRING, RELEASE BUTTON
	XA4-9170-457	000	F 2	SCREW
	XA4-9200-457	000	F 1	SCREW
	XD2-1100-132	000	F 1	E RING
	XG8-1100-602	000	F 1	BALL, STEEL

CANON EOS 7
 EOS ELAN 7E / DATE
 EOS 30 / DATE
 EOS ELAN 7 / DATE
 EOS 33 / DATE

REF.NO. C12-8451
 C12-8453/8454
 C12-8456/8457
 C12-8463/8464
 C12-8466/8467



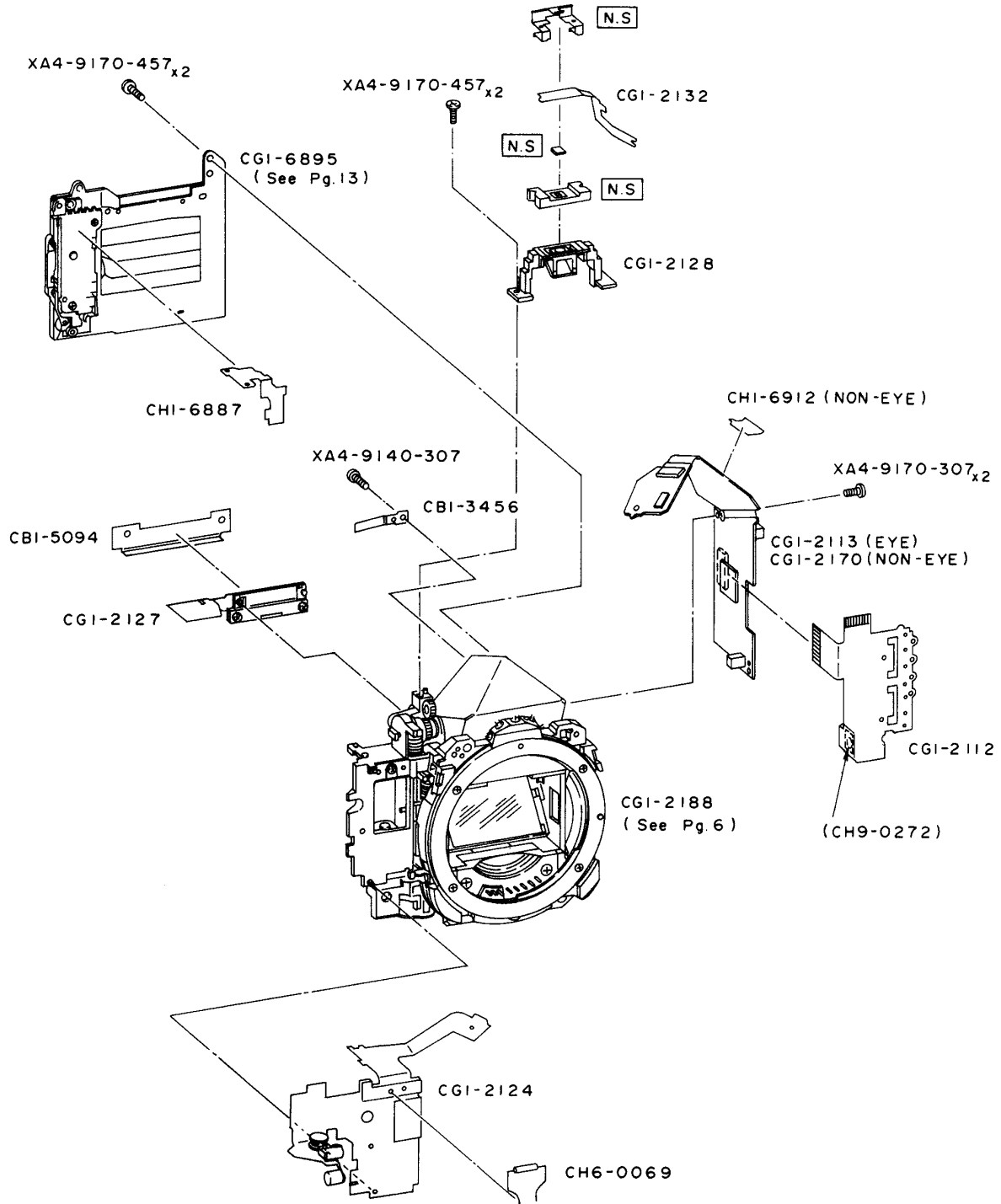
PARTS LIST

REF.No. C12-8451
 C12-8453/8454
 C12-8456/8457
 C12-8463/8464
 C12-8466/8467

NEW	PARTS No.	CLASS	QTY	DESCRIPTION
*	CB2-0888-000	C	1	LUG, NECK STRAP (RIGHT)
*	CB2-1345-000	C	1	PLATE, RAG
*	CG1-2104-000	C	1	BODY UNIT
*	CG1-2111-000	C	1	COVER ASS'Y, BACK (DATE)
*	CG1-2116-000	C	1	LCD UNIT (OUTSIDE)
*	CG1-2122-000	C	1	PCB ASS'Y, RELEASE
*	CG1-2123-000	C	1	DIAL UNIT
*	CG1-2133-000	C	1	COVER ASS'Y, BACK (NON-DATE)
*	CG1-2171-000	C	1	FINDER UNIT (NON-EYE)
*	CY3-1270-000	C	1	FINDER UNIT (EYE)
	WE8-5148-000	E	1	FILTER, NOISE
	XA4-9170-409	F	1	SCREW
	XA4-9170-557	F	3	SCREW
	XA4-9200-507	F	1	SCREW
	XA4-9200-609	F	2	SCREW
	XA4-9200-807	F	3	SCREW
	XA4-9200-909	F	2	SCREW

CANON EOS 7
EOS ELAN 7E / DATE
EOS 30 / DATE
EOS ELAN 7 / DATE
EOS 33 / DATE

REF. NO. C12-8451
C12-8453/8454
C12-8456/8457
C12-8463/8464
C12-8466/8467



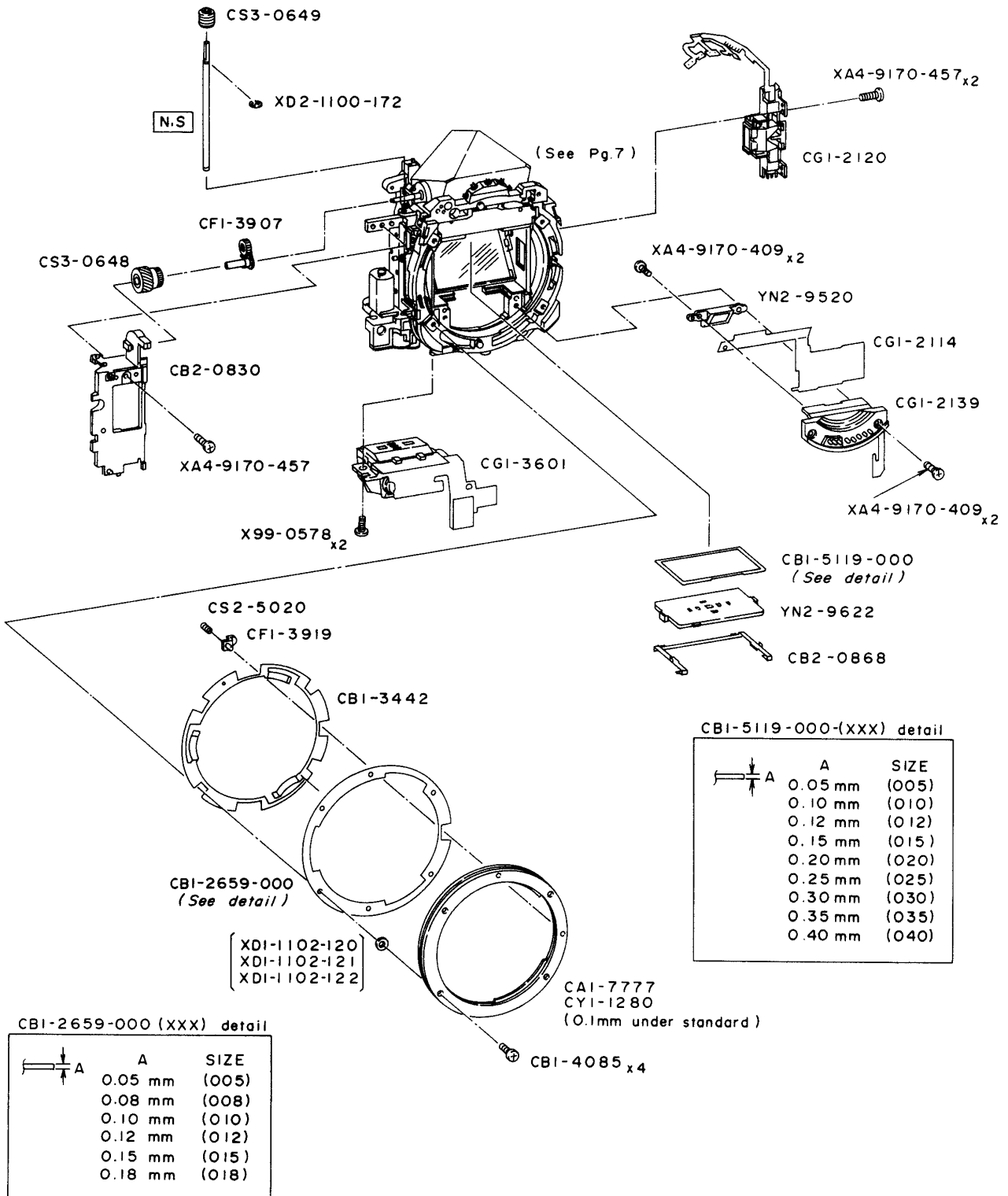
PARTS LIST

REF.No. C12-8451
 C12-8453/8454
 C12-8456/8457
 C12-8463/8464
 C12-8466/8467

NEW	PARTS No.	CLASS	QTY	DESCRIPTION
	CB1-3456-000	E	1	HOLDER, INSIDE LCD
	CB1-5094-000	E	1	SHEET, LIGHT SHIELD
*	CG1-2112-000	C	1	PCB ASS'Y, DX
*	CG1-2113-000	B	1	PCB ASS'Y, MAIN (EYE)
*	CG1-2124-000	C	1	PCB ASS'Y, MD
*	CG1-2127-000	C	1	PCB ASS'Y, ILC
*	CG1-2128-000	C	1	SPC BASE UNIT
*	CG1-2132-000	C	1	PCB ASS'Y, AE
*	CG1-2170-000	B	1	PCB ASS'Y, MAIN (NON-EYE)
*	CG1-2188-000	C	1	FRONT BASE UNIT
*	CG1-6895-000	B	1	SHUTTER UNIT
*	CH1-6887-000	C	1	FPC, SH
*	CH1-6912-000	C	1	FPC, VIA (NON-EYE)
*	CH6-0069-000	C	1	LAMP, INCANDESCENT
	CH9-0272-000	E	1	SWITCH, ELEMENT KEY
	XA4-9140-307	F	1	SCREW
	XA4-9170-307	F	2	SCREW
	XA4-9170-457	F	4	SCREW

CANON EOS 7
EOS ELAN 7E/DATE
EOS 30/DATE
EOS ELAN 7/DATE
EOS 33/DATE

REF. NO. C12-8451
 C12-8453/8454
 C12-8456/8457
 C12-8463/8464
 C12-8466/8467



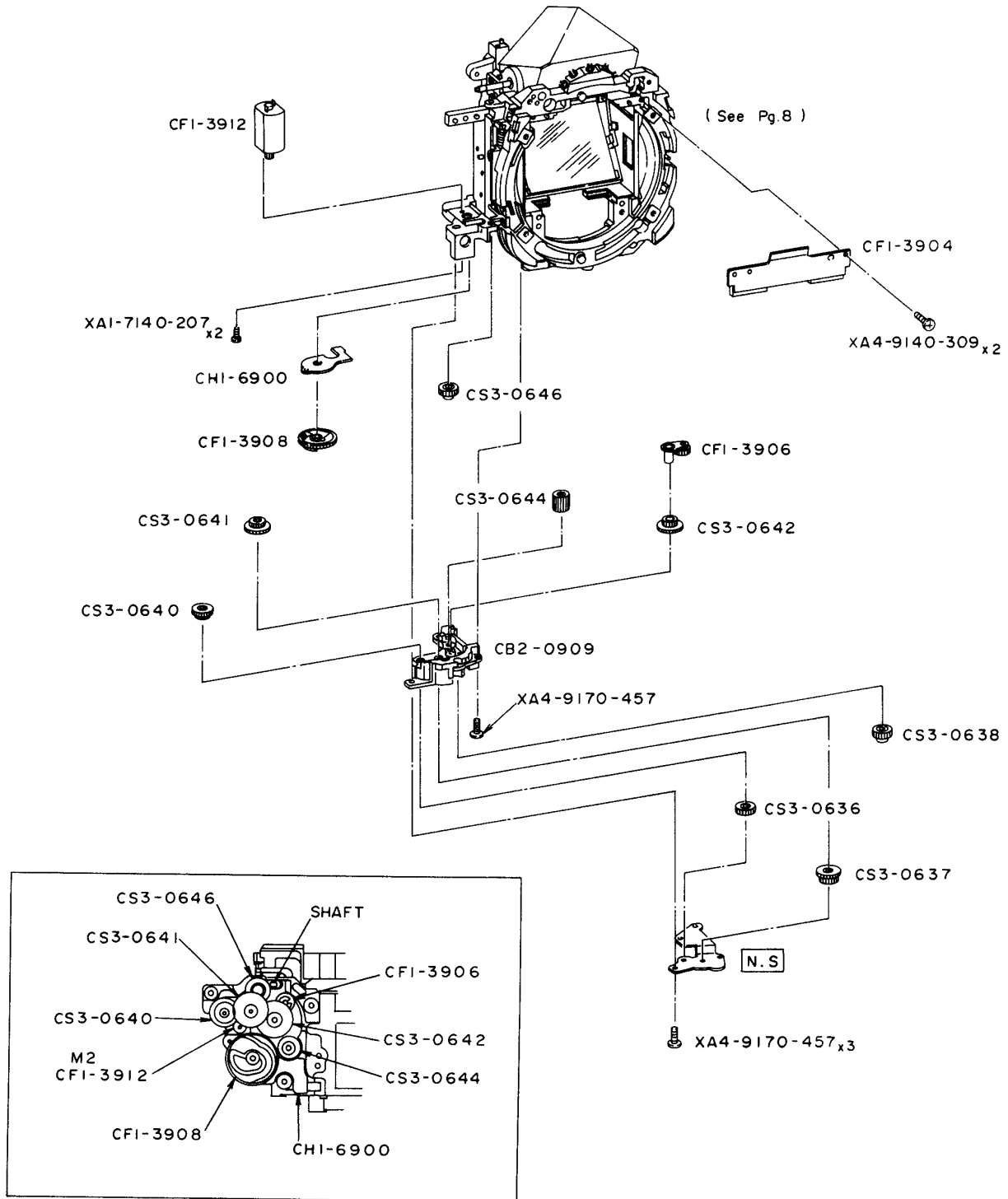
PARTS LIST

REF.No. C12-8451
 C12-8453/8454
 C12-8456/8457
 C12-8463/8464
 C12-8466/8467

NEW	PARTS No.	CLASS	QTY	DESCRIPTION
	CA1-7777-000	000	C 1	MOUNT, BODY
	CB1-2659-000	xxx	E 1	SPACER, MOUNT
	CB1-3442-000	000	E 1	SPRING, MOUNT
	CB1-4085-000	000	F 4	SCREW
	CB1-5119-000	xxx	D 1	SPACER, FOCUSING SCREEN
*	CB2-0830-000	000	C 1	HOLDER, WING
*	CB2-0868-000	000	C 1	HOLDER, FOCUSING SCREEN
*	CF1-3907-000	000	C 1	GEAR ASS'Y, FLASH PLANET
*	CF1-3919-000	000	D 1	LOCK PIN UNIT
*	CG1-2114-000	000	C 1	PCB ASS'Y, TTL
*	CG1-2120-000	000	C 1	PCB ASS'Y, SI
*	CG1-2139-000	000	C 1	MOUNT CONTACT UNIT
	CG1-3601-000	000	D 1	AUTO FOCUS UNIT
	CS2-5020-000	000	E 1	SPRING, COIL
*	CS3-0648-000	000	C 1	GEAR, FLASH POP-UP SUN
*	CS3-0649-000	000	C 1	GEAR, FLASH WORM
	CY1-1280-000	000	C 1	MOUNT, BODY (t=-0.1mm)
	X99-0578-000	000	F 2	SCREW
	XA4-9170-409	000	F 4	SCREW
	XA4-9170-457	000	F 3	SCREW
	XD1-1102-120	000	F N	WASHER (0.05mm)
	XD1-1102-121	000	F N	WASHER (0.1mm)
	XD1-1102-122	000	F N	WASHER (0.2mm)
	XD2-1100-172	000	F 1	E RING
*	YN2-9520-000	000	C 1	LENS, TTL
*	YN2-9622-000	000	B 1	SCREEN , FOCUSING

CANON EOS 7
 EOS ELAN 7E/DATE
 EOS 30/DATE
 EOS ELAN 7/DATE
 EOS 33/DATE

REF. NO. C12-8451
 C12-8453/8454
 C12-8456/8457
 C12-8463/8464
 C12-8466/8467



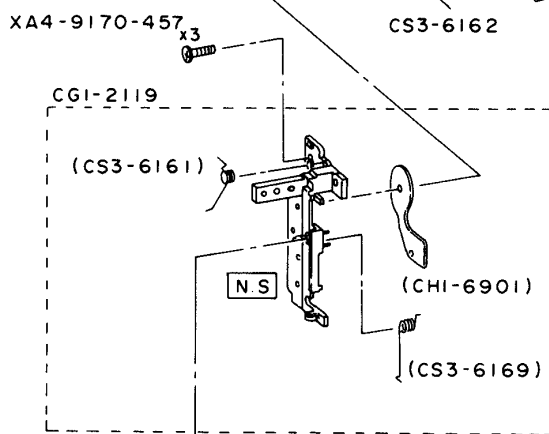
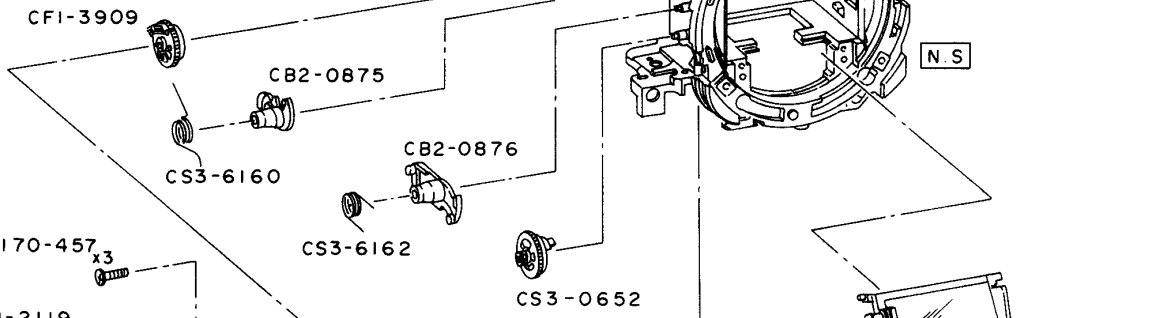
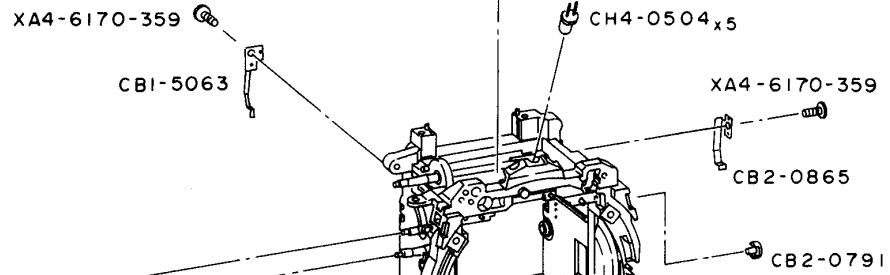
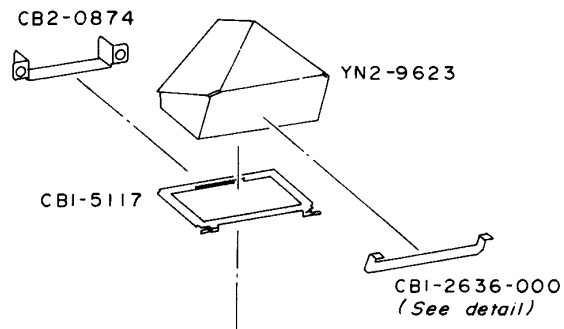
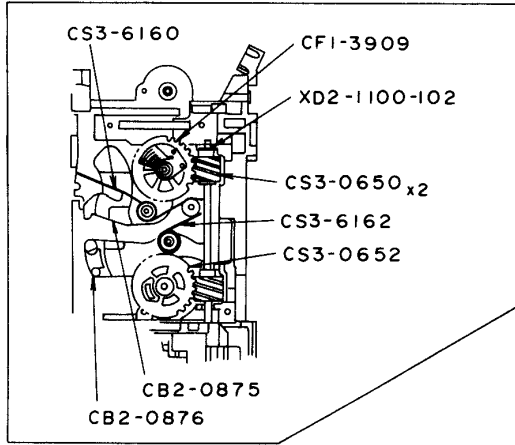
PARTS LIST

REF.No. C12-8451
 C12-8453/8454
 C12-8456/8457
 C12-8463/8464
 C12-8466/8467

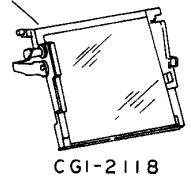
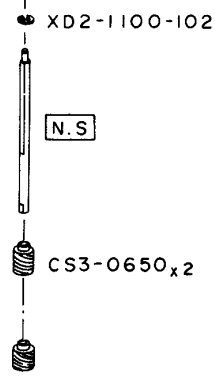
NEW	PARTS No.	CLASS	QTY	DESCRIPTION
*	CB2-0909-000	C	1	BASE, CHARGE GEAR
*	CF1-3904-000	C	1	PROTECT PLATE UNIT
*	CF1-3906-000	C	1	GEAR ASS'Y, SUB PLANET
*	CF1-3908-000	C	1	GEAR ASS'Y, CHARGE CAM
*	CF1-3912-000	D	1	MOTOR ASS'Y, M2
* * * * *	CH1-6900-000 CS3-0636-000 CS3-0637-000 CS3-0638-000 CS3-0640-000	C C C C C	1 1 1 1 1	PCB, FILM DRIVE CHANGE GEAR, CHARGE TRANS 1 GEAR, CHARGE TRANS 2 GEAR, CHARGE TRANS 3 GEAR, SUB 1
* * * *	CS3-0641-000 CS3-0642-000 CS3-0644-000 CS3-0646-000	C C C C	1 1 1 1	GEAR, SUB 2 GEAR, SUB SUN GEAR, CAM TRANS GEAR, FLASH TRANS
	XA1-7140-207	F	2	SCREW
	XA4-9140-309	F	2	SCREW
	XA4-9170-457	F	4	SCREW

CANON EOS 7
 EOS ELAN 7E / DATE
 EOS 30 / DATE
 EOS ELAN 7 / DATE
 EOS 33 / DATE

REF. NO. C12-8451
 C12-8453/8454
 C12-8456/8457
 C12-8463/8464
 C12-8466/8467



XA4-9170-609



CBI-2636-000 (XXX) detail

A	SIZE
0.30 mm	(030)
0.40 mm	(040)
0.50 mm	(050)
0.60 mm	(060)
0.70 mm	(070)
0.80 mm	(080)

PARTS LIST

REF.No. C12-8451

C12-8453/8454

C12-8456/8457

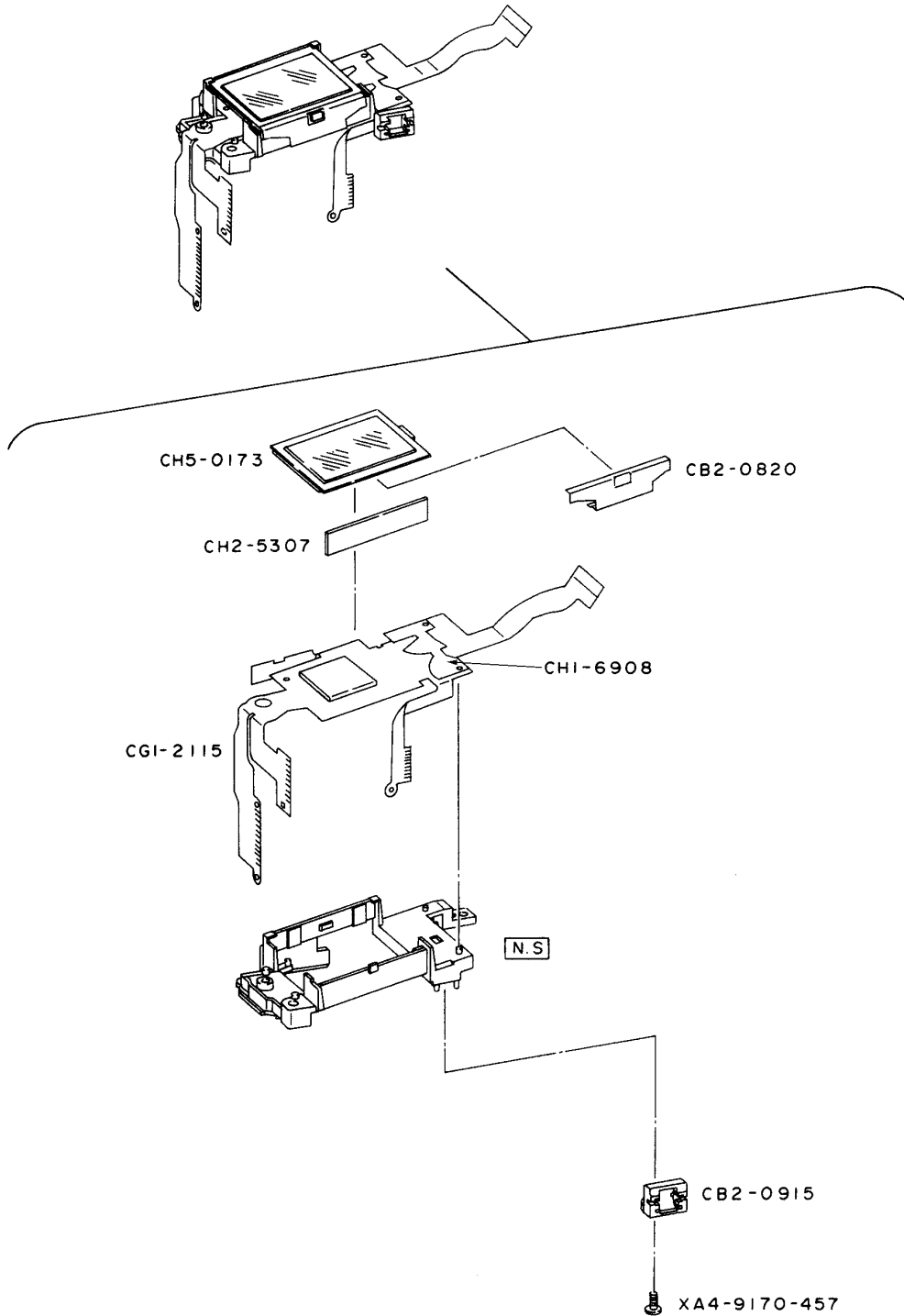
C12-8463/8464

C12-8466/8467

NEW	PARTS No.	CLASS	QTY	DESCRIPTION
	CB1-2636-000 xxx	E	1	SPACER, PENTAPRISM
	CB1-5063-000 000	E	1	HOLDER, MIRROR 1
	CB1-5117-000 000	E	1	MASK, FINDER
*	CB2-0791-000 000	C	1	SHAFT, SUB MIRROR CHANGE
*	CB2-0865-000 000	C	1	HOLDER, MIRROR LEFT
*	CB2-0874-000 000	C	1	PLATE, EYEPIECE
*	CB2-0875-000 000	C	1	LEVER, MIRROR
*	CB2-0876-000 000	C	1	LEVER, SHUTTER
*	CF1-3909-000 000	C	1	GEAR ASS'Y, MIRROR CAM
*	CG1-2118-000 000	C	1	MIRROR UNIT
*	CG1-2119-000 000	C	1	COVER ASS'Y, FRONT GEAR
*	CH1-6901-000 000	C	1	PCB, MIRROR CHARGE
	CH4-0504-000 000	E	5	LED, SI
*	CS3-0650-000 000	C	2	GEAR, WORM
*	CS3-0652-000 000	C	1	GEAR, CHARGE
*	CS3-6160-000 000	C	1	SPRING, MIRROR DRIVE 1
*	CS3-6161-000 000	C	1	SPRING, MIRROR DRIVE 2
*	CS3-6162-000 000	C	1	SPRING, SHUTTER
*	CS3-6169-000 000	C	1	SPRING, CHARGE BRAKE
	XA4-6170-359 000	F	2	SCREW
	XA4-9170-457 000	F	3	SCREW
	XA4-9170-609 000	F	1	SCREW
	XD2-1100-102 000	F	1	E RING
*	YN2-9623-000 000	C	1	PENTAPRISM

CANON EOS 7
EOS ELAN 7E / DATE
EOS 30 / DATE
EOS ELAN 7 / DATE
EOS 33 / DATE

REF. NO. C12-8451
C12-8453/8454
C12-8456/8457
C12-8463/8464
C12-8466/8467



PARTS LIST

REF.No. C12-8451

C12-8453/8454

C12-8456/8457

C12-8463/8464

C12-8466/8467

NEW	PARTS No.	CLASS	QTY	DESCRIPTION
*	CB2-0820-000	000	C 1	HOLDER, OUTSIDE LCD
*	CB2-0915-000	000	C 1	HOLDER, LAMP
*	CG1-2115-000	000	C 1	PCB ASS'Y, DSP
*	CH1-6908-000	000	C 1	FPC, RD
*	CH2-5307-000	000	C 1	CONNECTOR, OUTSIDE LCD
*	CH5-0173-000	000	C 1	LCD
	XA4-9170-457	000	F 1	SCREW

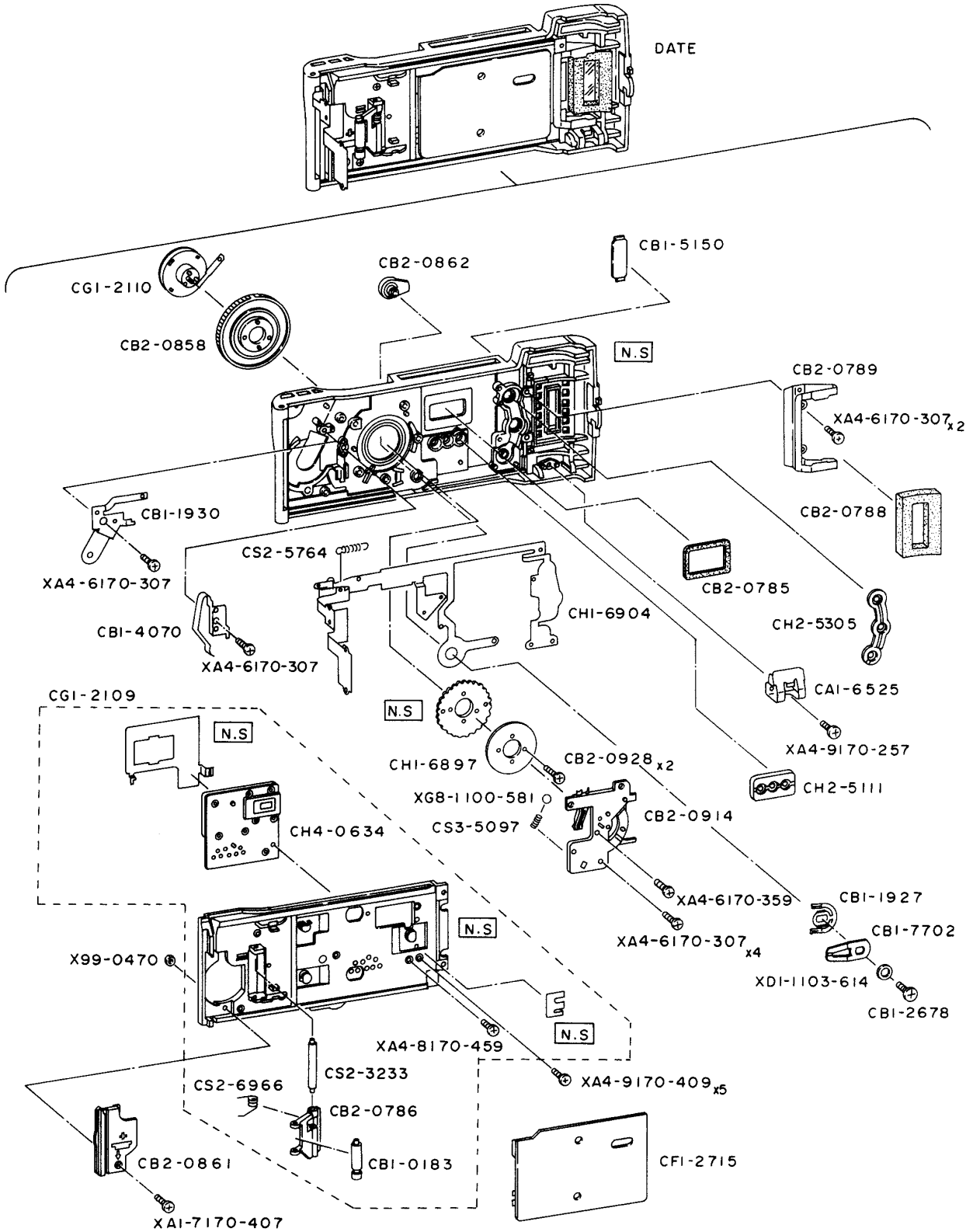
PARTS LIST

REF.No. C12-8451
C12-8453/8454
C12-8456/8457
C12-8463/8464
C12-8466/8467

NEW	PARTS No.	CLASS	QTY	DESCRIPTION
*	YN2-9442-000 000	C	1	GLASS, FLAT (NON-EYE FINDER)
*	YN2-9626-000 000	C	1	GLASS, FLAT (EYE FINDER)

CANON EOS 7
 EOS ELAN 7E DATE
 EOS 30 DATE
 EOS ELAN 7 DATE
 EOS 33 DATE

REF. NO. C12-8451
 C12-8454
 C12-8457
 C12-8464
 C12-8467



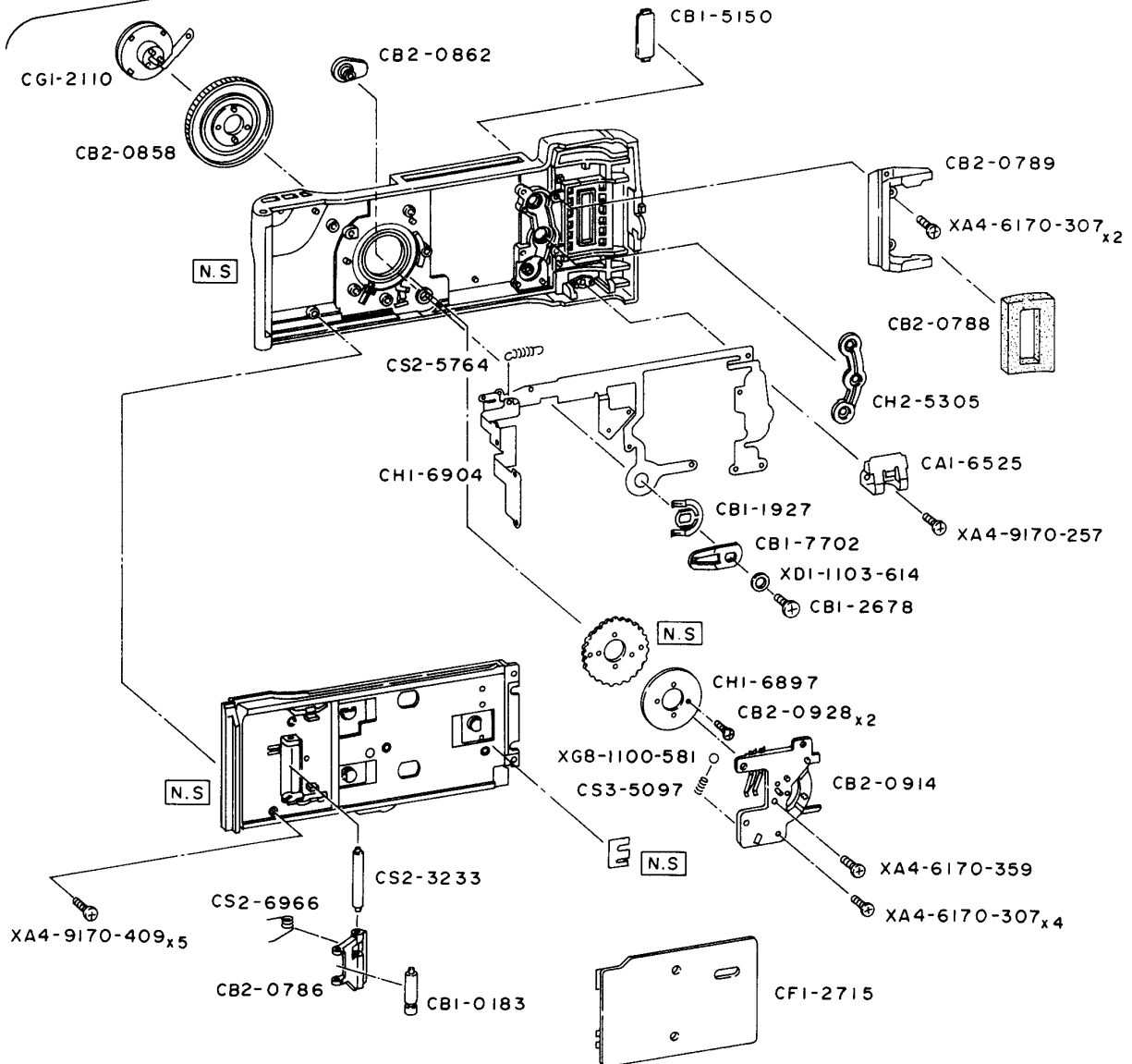
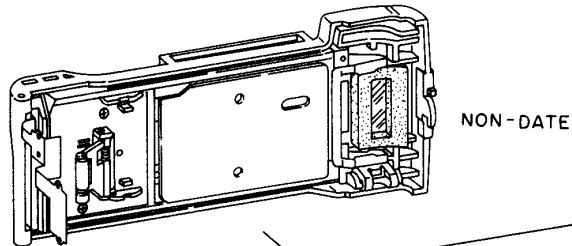
PARTS LIST

REF.No. C12-8451
 C12-8454
 C12-8457
 C12-8464
 C12-8467

NEW	PARTS No.	CLASS	QTY	DESCRIPTION
	CA1-6525-000	000	E 1	SPRING, PLATE
	CB1-0183-000	000	E 1	ROLLER, BACK COVER GUIDE
	CB1-1927-000	000	E 1	CONTACT, DIAL LOCK SWITCH
	CB1-1930-000	000	E 1	CONTACT, DATE BATTERY (-)
	CB1-2678-000	000	F 1	SCREW
	CB1-4070-000	000	E 1	CONTACT, DATE BATTERY (+)
*	CB1-5150-000	000	C 1	WINDOW, DX
	CB1-7702-000	000	D 1	PLATE, S-DIAL CLICK
*	CB2-0785-000	000	C 1	SHIELD, LIGHT (DATE WINDOW)
*	CB2-0786-000	000	C 1	LEVER, FILM GUIDE
	CB2-0788-000	000	C 1	SHIELD, LIGHT (DX WINDOW)
*	CB2-0789-000	000	C 1	SPRING, CARTRIDGE
*	CB2-0858-000	000	C 1	DIAL, CD
*	CB2-0861-000	000	C 1	COVER, DATE BATTERY
*	CB2-0862-000	000	C 1	KNOB, DIAL LOCK SWITCH
	CB2-0914-000	000	C 1	CONTACT, CD DIAL
*	CB2-0928-000	000	C 2	SCREW
	CF1-2715-000	000	D 1	PLATE, PRESSURE
*	CG1-2109-000	000	C 1	COVER ASS'Y, INNER BACK (DATE)
*	CG1-2110-000	000	C 1	AF SELECT KEY UNIT
	CH1-6897-000	000	C 1	PCB, CD DIAL
*	CH1-6904-000	000	C 1	FPC, BKP
	CH2-5111-000	000	E 1	SWITCH, DATE
*	CH2-5305-000	000	C 1	CONTACT, FUNCTION BUTTON
	CH4-0634-000	000	D 1	PCB ASS'Y, DATE
	CS2-3233-000	000	E 1	SHAFT, ROLLER HOLDER
	CS2-5764-000	000	E 1	SPRING, COIL
	CS2-6966-000	000	E 1	SPRING, TORSION
*	CS3-5097-000	000	C 1	SPRING, CD DIAL CLICK
	X99-0470-000	000	F 1	NUT
	XA1-7170-407	000	F 1	SCREW
	XA4-6170-307	000	F 8	SCREW
	XA4-6170-359	000	F 1	SCREW
*	XA4-8170-459	000	F 1	SCREW
	XA4-9170-257	000	F 1	SCREW
	XA4-9170-409	000	F 5	SCREW
	XD1-1103-614	000	F 1	WASHER
	XG8-1100-581	000	F 1	BALL, STEEL

CANON EOS ELAN 7E
EOS 30
EOS ELAN 7
EOS 33

REF. NO. C12-8453
C12-8456
C12-8463
C12-8466



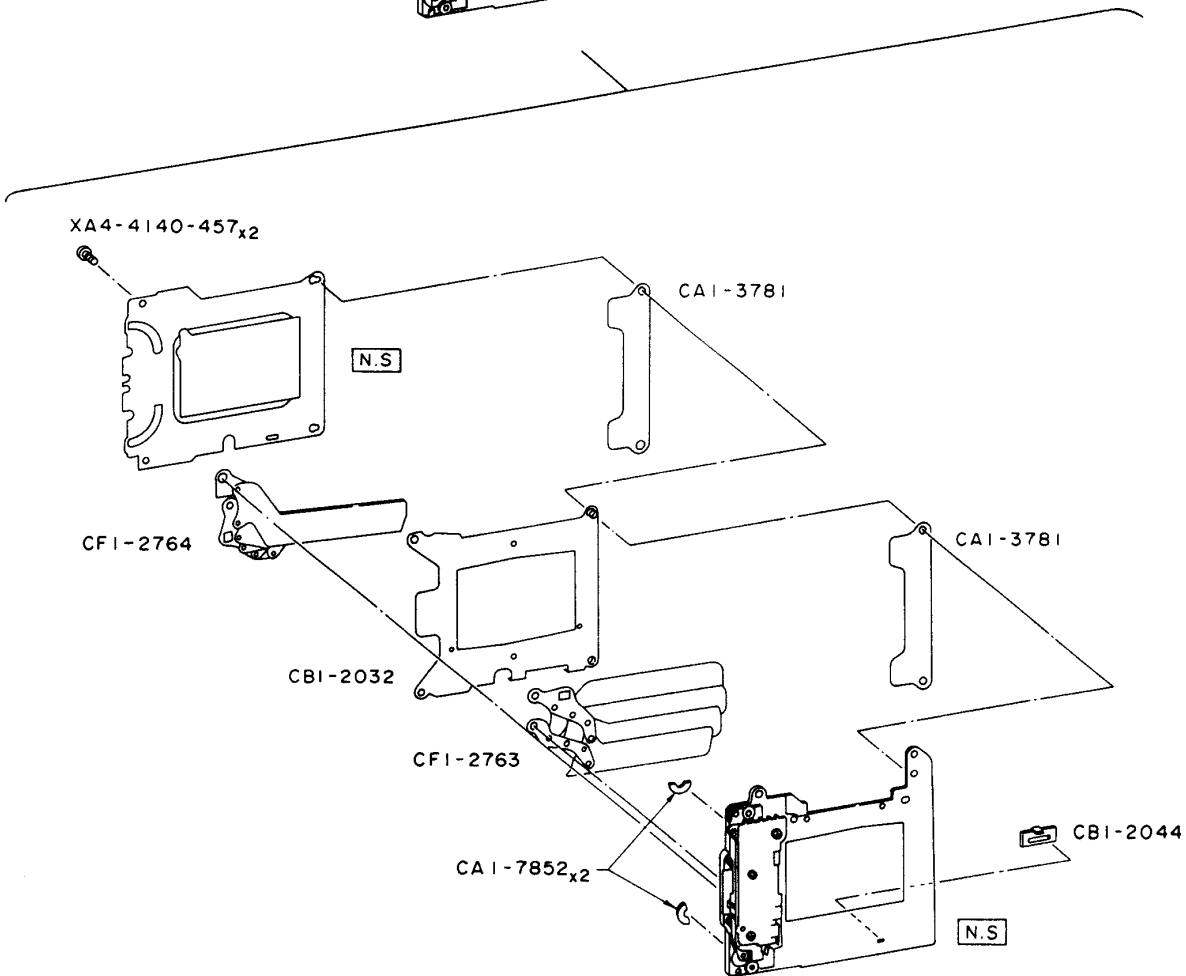
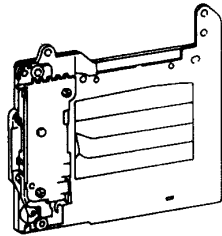
PARTS LIST

REF.No. C12-8453
 C12-8456
 C12-8463
 C12-8466

NEW	PARTS No.	CLASS	QTY	DESCRIPTION
	CA1-6525-000	000	E 1	SPRING, PLATE
	CB1-0183-000	000	E 1	ROLLER, BACK COVER GUIDE
	CB1-1927-000	000	E 1	CONTACT, DIAL LOCK SWITCH
	CB1-2678-000	000	F 1	SCREW
*	CB1-5150-000	000	C 1	WINDOW, DX
	CB1-7702-000	000	D 1	PLATE, S-DIAL CLICK
*	CB2-0786-000	000	C 1	LEVER, FILM GUIDE
*	CB2-0788-000	000	C 1	SHIELD, LIGHT (DX WINDOW)
*	CB2-0789-000	000	C 1	SPRING, CARTRIDGE
*	CB2-0858-000	000	C 1	DIAL, CD
*	CB2-0862-000	000	C 1	KNOB, DIAL LOCK SWITCH
*	CB2-0914-000	000	C 1	CONTACT, CD DIAL
*	CB2-0928-000	000	C 2	SCREW
	CF1-2715-000	000	D 1	PLATE, PRESSURE
*	CG1-2110-000	000	C 1	AF SELECT KEY UNIT
*	CH1-6897-000	000	C 1	PCB, CD DIAL
*	CH1-6904-000	000	C 1	FPC, BKP
*	CH2-5305-000	000	C 1	CONTACT, FUNCTION BUTTON
	CS2-3233-000	000	E 1	SHAFT, ROLLER HOLDER
	CS2-5764-000	000	E 1	SPRING, COIL
	CS2-6966-000	000	E 1	SPRING, TORSION
*	CS3-5097-000	000	C 1	SPRING, CD DIAL CLICK
	XA4-6170-307	000	F 6	SCREW
	XA4-6170-359	000	F 1	SCREW
	XA4-9170-257	000	F 1	SCREW
	XA4-9170-409	000	F 5	SCREW
	XD1-1103-614	000	F 1	WASHER
	XG8-1100-581	000	F 1	BALL, STEEL

CANON EOS 7
EOS ELAN 7E / DATE
EOS 30 / DATE
EOS ELAN 7 / DATE
EOS 33 / DATE

REF. NO. C12-8451
C12-8453/8454
C12-8456/8457
C12-8463/8464
C12-8466/8467



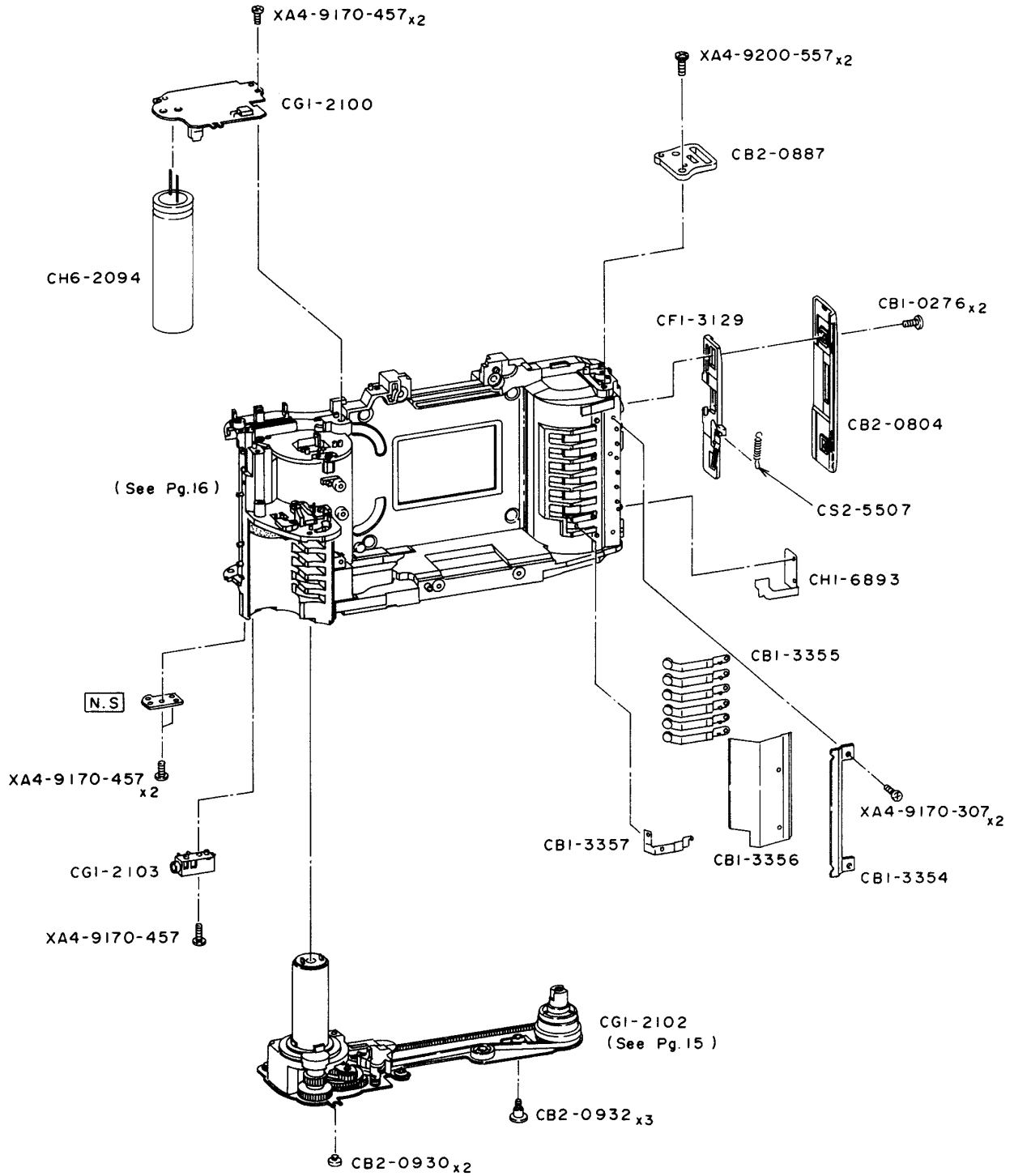
PARTS LIST

REF.No. C12-8451
C12-8453/8454
C12-8456/8457
C12-8463/8464
C12-8466/8467

NEW	PARTS No.	CLASS	QTY	DESCRIPTION
	CA1-3781-000	000	E 2	SPACER
	CA1-7852-000	000	E 2	STOPPER, RUBBER
	CB1-2032-000	000	E 1	PLATE, SEPARATOR
	CB1-2044-000	000	E 1	RUBBER, STOPPER
	CF1-2763-000	000	C 1	CURTAIN, 2ND SHUTTER
	CF1-2764-000	000	C 1	CURTAIN, 1ST SHUTTER
	XA4-4140-457	000	F 2	SCREW

CANON EOS 7
EOS ELAN 7E / DATE
EOS 30 / DATE
EOS ELAN 7 / DATE
EOS 33 / DATE

REF. NO. C12-8451
C12-8453/8454
C12-8456/8457
C12-8463/8464
C12-8466/8467



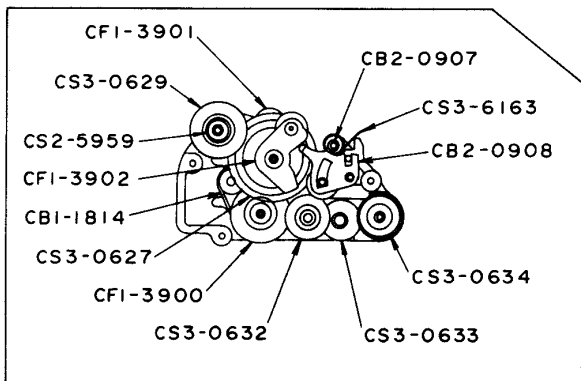
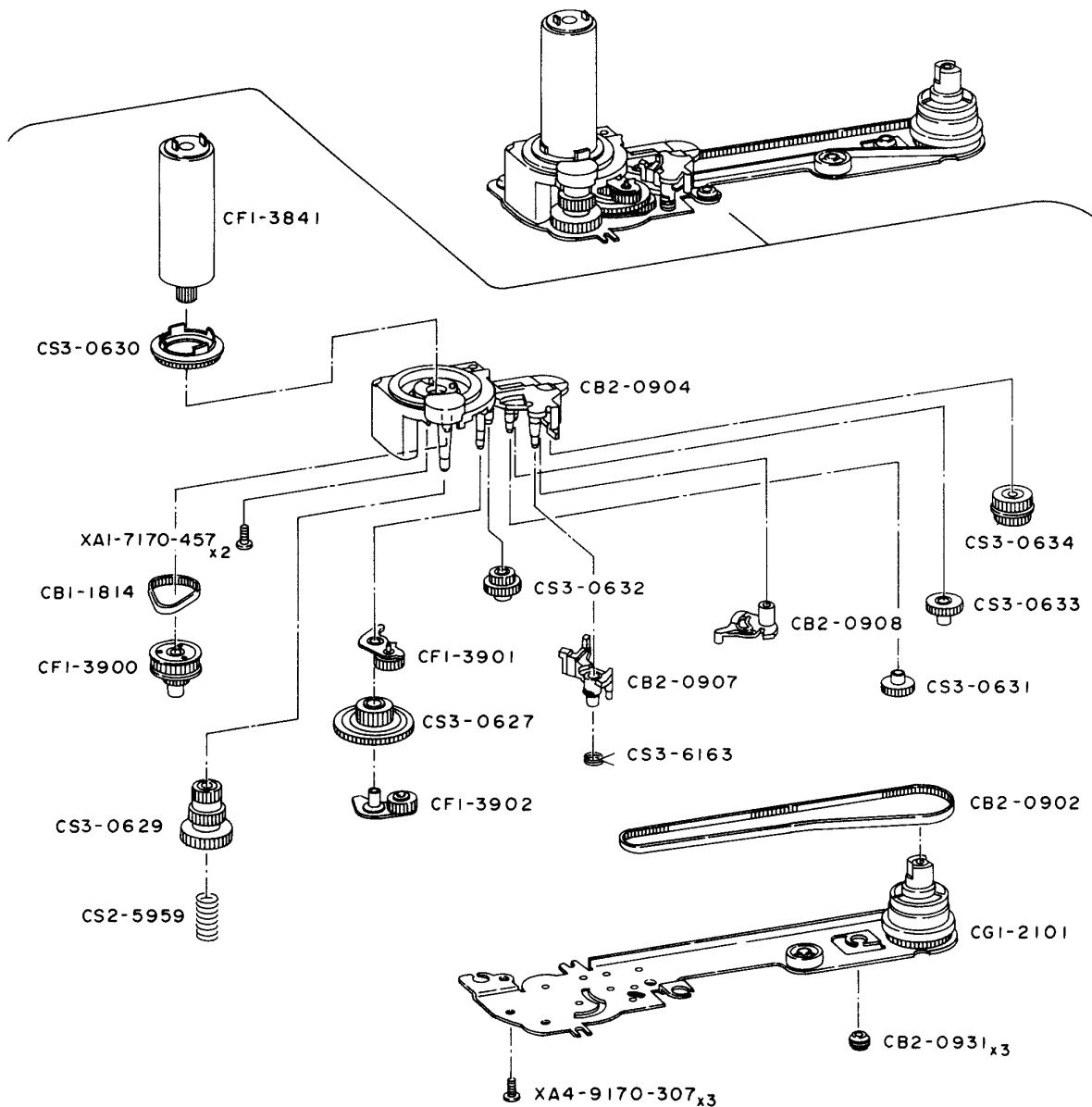
PARTS LIST

REF.No. C12-8451
 C12-8453/8454
 C12-8456/8457
 C12-8463/8464
 C12-8466/8467

NEW	PARTS No.	CLASS	QTY	DESCRIPTION
	CB1-0276-000	000	F 2	SCREW
	CB1-3354-000	000	E 1	HOLDER, DX
	CB1-3355-000	000	E 1	CONTACT, DX
	CB1-3356-000	000	E 1	SHEET, DX
	CB1-3357-000	000	E 1	CONTACT, FILM CARTRIDGE
*	CB2-0804-000	000	C 1	COVER, LATCH
*	CB2-0887-000	000	C 1	LUG, NECK STRAP (LEFT)
*	CB2-0930-000	000	C 2	CUSHION, RUBBER
*	CB2-0932-000	000	C 3	SCREW
	CF1-3129-000	000	E 1	LEVER, BACK COVER LATCH
*	CG1-2100-000	000	C 1	PCB ASS'Y, FLASH
*	CG1-2102-000	000	C 1	FILM DRIVE UNIT
*	CG1-2103-000	000	C 1	JACK ASS'Y, REMOTE CONTROL
*	CH1-6893-000	000	C 1	FPC, BP
*	CH6-2094-000	000	C 1	CAPACITOR
	CS2-5507-000	000	E 1	SPRING, COIL
	XA4-9170-307	000	F 2	SCREW
	XA4-9170-457	000	F 5	SCREW
	XA4-9200-557	000	F 2	SCREW

CANON EOS 7
 EOS ELAN 7E / DATE
 EOS 30 / DATE
 EOS ELAN 7 / DATE
 EOS 33 / DATE

REF. NO. C12-8451
 C12-8453/8454
 C12-8456/8457
 C12-8463/8464
 C12-8466/8467



PARTS LIST

REF.No. C12-8451

C12-8453/8454

C12-8456/8457

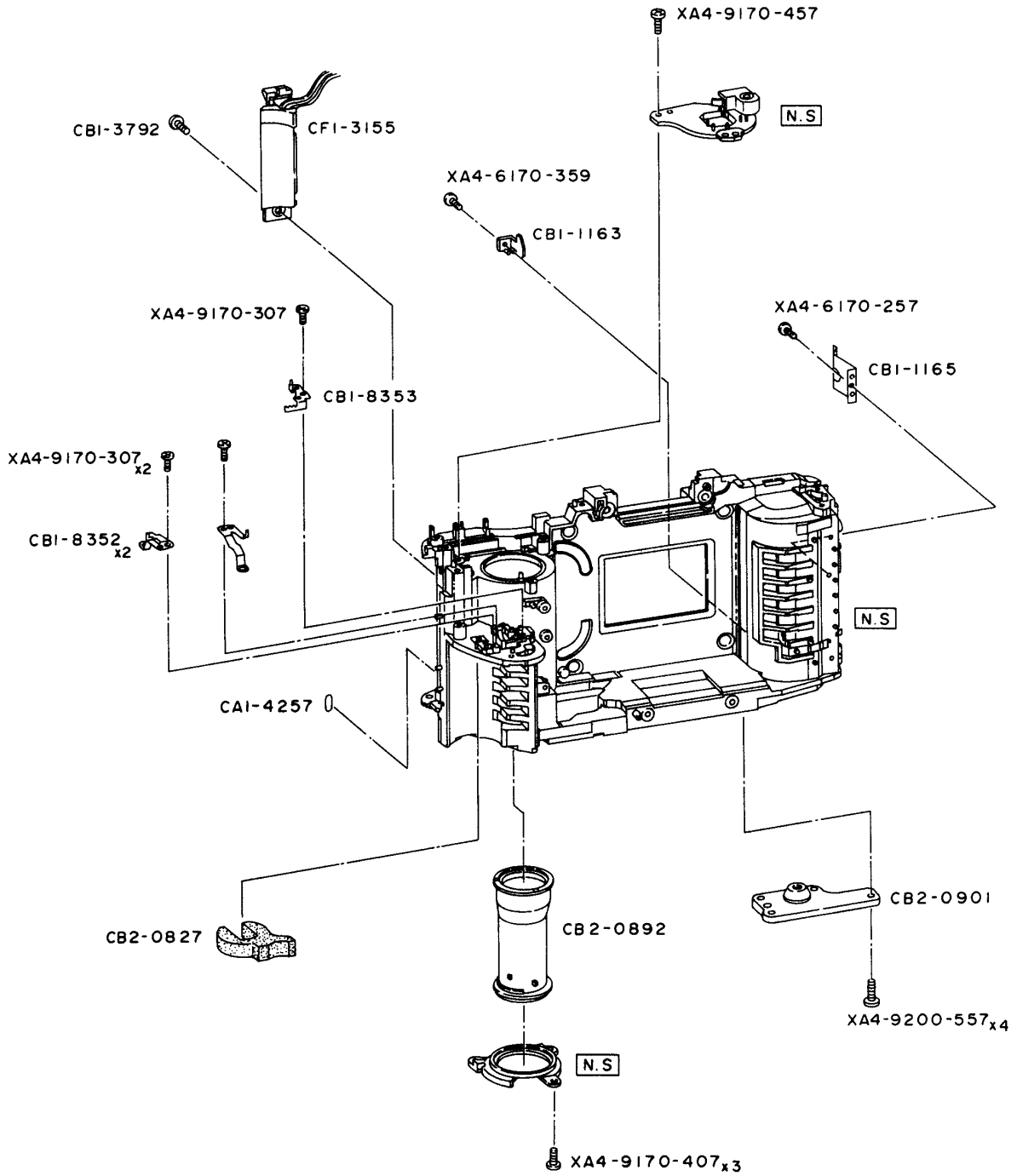
C12-8463/8464

C12-8466/8467

NEW	PARTS No.	CLASS	QTY	DESCRIPTION
	CB1-1814-000	000	D 1	BELT, GEAR DRIVE
*	CB2-0902-000	000	C 1	BELT, FILM REWIND
*	CB2-0904-000	000	C 1	BASE, FILM GEAR
*	CB2-0907-000	000	C 1	LEVER, CHANGE (Hi)
*	CB2-0908-000	000	C 1	LEVER, CHANGE (Lo)
	CB2-0931-000	000	C 3	MOUNT, VIBRATION
*	CF1-3841-000	000	D 1	MOTOR ASS'Y, M1
*	CF1-3900-000	000	C 1	GEAR ASS'Y, FILM FIRST
*	CF1-3901-000	000	C 1	GEAR ASS'Y, FILM PLANET Hi
*	CF1-3902-000	000	C 1	GEAR ASS'Y, FILM PLANET Lo
	CG1-2101-000	000	D 1	FORK GEAR COVER UNIT
*	CS2-5959-000	000	C 1	SPRING, SPOOL TRANS
*	CS3-0627-000	000	C 1	GEAR, FILM SUN
*	CS3-0629-000	000	C 1	GEAR, SPOOL TRANS
*	CS3-0630-000	000	C 1	GEAR, SPOOL
	CS3-0631-000	000	C 1	GEAR, REWIND TRANS 1
*	CS3-0632-000	000	C 1	GEAR, REWIND TRANS 2
*	CS3-0633-000	000	C 1	GEAR, REWIND TRANS 3
*	CS3-0634-000	000	C 1	GEAR, REWIND TRANS PULLEY
*	CS3-6163-000	000	C 1	SPRING, CHANGE
	XA1-7170-457	000	F 2	SCREW
	XA4-9170-307	000	F 3	SCREW

CANON EOS 7
EOS ELAN 7E / DATE
EOS 30 / DATE
EOS ELAN 7 / DATE
EOS 33 / DATE

REF. NO. C12-8451
C12-8453/8454
C12-8456/8457
C12-8463/8464
C12-8466/8467



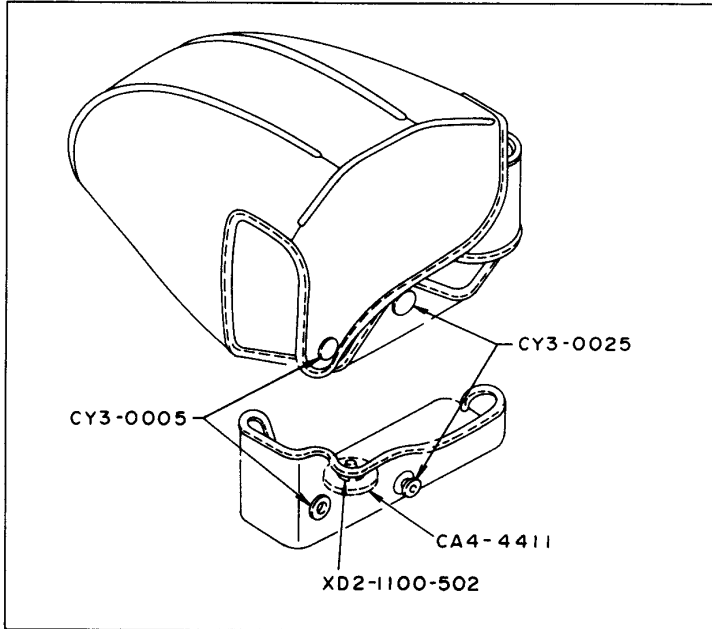
PARTS LIST

REF.No. C12-8451
 C12-8453/8454
 C12-8456/8457
 C12-8463/8464
 C12-8466/8467

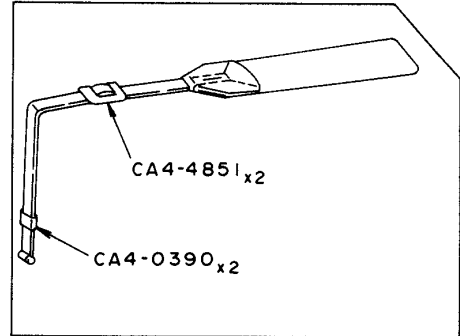
NEW	PARTS No.	CLASS	QTY	DESCRIPTION
	CA1-4257-000	E	1	SEAL, FILM
	CB1-1163-000	E	1	JAW, FILM CARTRIDGE
	CB1-1165-000	D	1	GUIDE, FILM CARTRIDGE
	CB1-3792-000	F	1	SCREW
	CB1-8352-000	E	2	CONTACT, BATTERY
	CB1-8353-000	E	1	CONTACT, RESET
*	CB2-0827-000	C	1	CUSHION, BATTERY
*	CB2-0892-000	C	1	SPOOL
*	CB2-0901-000	C	1	PLATE, TRIPOD
	CF1-3155-000	E	1	SIGNAL ASS'Y
*	XA4-6170-257	F	1	SCREW
	XA4-6170-359	F	1	SCREW
	XA4-9170-307	F	3	SCREW
	XA4-9170-407	F	3	SCREW
	XA4-9170-457	F	1	SCREW
	XA4-9200-557	F	4	SCREW

(ACCESSORY)

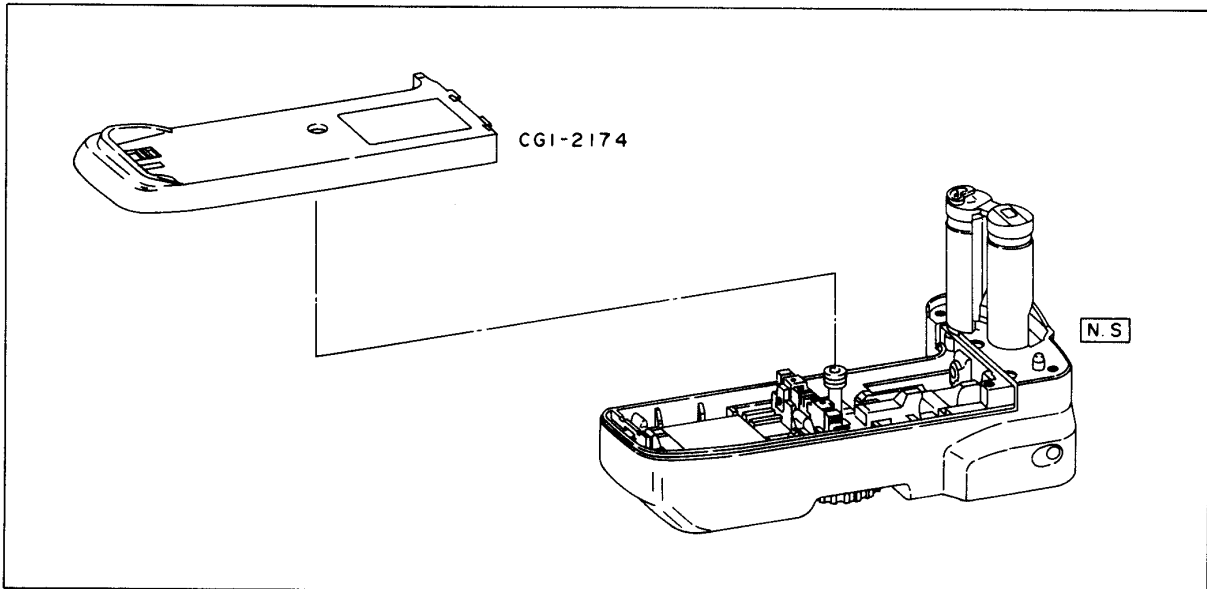
C46-2121 SEMI HARD CASE EH14-L



C56-1712 WIDESTRAP EW-100 BK



C50-8021 BATTERY PACK BP-300



PARTS LIST

REF.No. C46-2121 SEMI HARD CASE EH14-L
C56-1712 WIDESTRAP EW-100BK

NEW	PARTS No.	CLASS	QTY	DESCRIPTION
	CA4-0390-000 000	E	2	LOOP
	CA4-4411-000 000	E	1	SCREW, TIGHTENING
	CA4-4851-000 000	E	2	CLASP
	CY3-0005-000 000	E	1	HOOK
	CY3-0025-000 000	E	1	HOOK
	XD2-1100-502 000	F	1	E RING

REF.No. C50-8021 BATTERY PACK BP-300

NEW	PARTS No.	CLASS	QTY	DESCRIPTION
*	CG1-2174-000 000	C	1	COVER ASS'Y, BATTERY (BP-300)

ELECTRIC PARTS LIST

REF.No. C12-8451
C12-8453/8454
C12-8456/8457
C12-8463/8464
C12-8466/8467

NEW SYMBOL	PARTS No.	DESCRIPTION	REMARK	PAGE
	Y11-3401-000 000	LEAD	WHITE	
	Y11-3702-000 000	LEAD	BLACK	
	Y11-3703-000 000	LEAD	RED	
	Y11-3901-000 000	LEAD	WHITE	
	Y11-3902-000 000	LEAD	BLACK	
	Y11-3903-000 000	LEAD	RED	
	Y11-3904-000 000	LEAD	PINK	
	Y11-3906-000 000	LEAD	ORANGE	
	Y11-3907-000 000	LEAD	YELLOW	
	Y11-3909-000 000	LEAD	GREEN	
	Y11-3911-000 000	LEAD	BLUE	
	Y11-3912-000 000	LEAD	PURPLE	
	Y11-3913-000 000	LEAD	BROWN	
	Y11-3914-000 000	LEAD	GRAY	
	Y11-4402-000 000	LEAD	BLACK	
	Y11-4403-000 000	LEAD	RED	

INDEX OF PARTS LIST

REF.No. C12-8451
 C12-8453/8454
 C12-8456/8457
 C12-8463/8464
 C12-8466/8467

NEW	PARTS No.	PAGE	NEW	PARTS No.	PAGE
	CA1-3781-000 000	13		CB1-5063-000 000	8
	CA1-4257-000 000	16		CB1-5090-000 000	3
	CA1-6504-040 000	2		CB1-5094-000 000	5
	CA1-6525-000 000	11		CB1-5117-000 000	8
	CA1-6525-000 000	12		CB1-5119-000 xxx	6
	CA1-7777-000 000	6		CB1-5136-000 000	3
	CA1-7852-000 000	13	*	CB1-5150-000 000	11,12
	CA1-8666-050 000	2	*	CB1-5345-000 000	2
	CA1-9328-000 000	2		CB1-5364-000 000	3
	CA1-9427-000 000	1,2		CB1-5386-000 000	3
	CA4-0390-000 000	17		CB1-7189-000 000	3
	CA4-4411-000 000	17		CB1-7196-000 000	1
	CA4-4851-000 000	17		CB1-7702-000 000	11,12
	CB1-0183-000 000	11,12		CB1-8352-000 000	16
	CB1-0276-000 000	1,14		CB1-8353-000 000	16
	CB1-0282-000 000	1	*	CB2-0587-000 000	3
	CB1-1163-000 000	16	*	CB2-0785-000 000	11
	CB1-1165-000 000	16	*	CB2-0786-000 000	11,12
	CB1-1814-000 000	15	*	CB2-0787-000 000	2
	CB1-1927-000 000	11,12	*	CB2-0788-000 000	11,12
	CB1-1930-000 000	11	*	CB2-0789-000 000	11,12
	CB1-2032-000 000	13	*	CB2-0791-000 000	8
	CB1-2044-000 000	13	*	CB2-0804-000 000	14
	CB1-2585-000 000	1	*	CB2-0805-000 000	1
	CB1-2636-000 xxx	8	*	CB2-0808-000 000	3
	CB1-2659-000 xxx	6	*	CB2-0809-000 000	3
	CB1-2678-000 000	11,12	*	CB2-0811-000 000	1
	CB1-3354-000 000	14	*	CB2-0812-000 000	2
	CB1-3355-000 000	14	*	CB2-0813-000 000	2
	CB1-3356-000 000	14	*	CB2-0815-000 000	1
	CB1-3357-000 000	14	*	CB2-0817-000 000	3
	CB1-3375-000 000	2	*	CB2-0818-000 000	1
	CB1-3376-000 000	2	*	CB2-0820-000 000	9
	CB1-3388-000 000	2	*	CB2-0827-000 000	16
	CB1-3408-000 000	1	*	CB2-0830-000 000	6
	CB1-3442-000 000	6	*	CB2-0832-000 000	3
	CB1-3456-000 000	5	*	CB2-0833-000 000	3
	CB1-3792-000 000	16	*	CB2-0834-000 000	3
	CB1-4070-000 000	11	*	CB2-0840-000 000	2
	CB1-4085-000 000	6	*	CB2-0841-000 000	2

INDEX OF PARTS LIST

REF.No. C12-8451

C12-8453/8454

C12-8456/8457

C12-8463/8464

C12-8466/8467

NEW	PARTS No.	PAGE	NEW	PARTS No.	PAGE
*	CB2-0858-000 000	11,12	*	CB2-0962-000 000	1
*	CB2-0861-000 000	11	*	CB2-0963-000 000	1
*	CB2-0862-000 000	11,12	*	CB2-0964-000 000	1
*	CB2-0865-000 000	8	*	CB2-0965-000 000	1
*	CB2-0868-000 000	6	*	CB2-0966-000 000	1
*	CB2-0874-000 000	8	*	CB2-1345-000 000	4
*	CB2-0875-000 000	8	*	CB2-1346-000 000	3
*	CB2-0876-000 000	8	*	CB2-1347-000 000	3
*	CB2-0878-000 000	3	*	CB2-1348-000 000	3
*	CB2-0880-000 000	3		CF1-2715-000 000	11,12
*	CB2-0882-000 000	3		CF1-2763-000 000	13
*	CB2-0884-000 000	3		CF1-2764-000 000	13
*	CB2-0885-000 000	3		CF1-3129-000 000	14
*	CB2-0887-000 000	14		CF1-3145-000 000	2
*	CB2-0888-000 000	4		CF1-3155-000 000	16
*	CB2-0892-000 000	16	*	CF1-3841-000 000	15
*	CB2-0901-000 000	16	*	CF1-3900-000 000	15
*	CB2-0902-000 000	15	*	CF1-3901-000 000	15
*	CB2-0904-000 000	15	*	CF1-3902-000 000	15
*	CB2-0907-000 000	15	*	CF1-3904-000 000	7
*	CB2-0908-000 000	15	*	CF1-3906-000 000	7
*	CB2-0909-000 000	7	*	CF1-3907-000 000	6
*	CB2-0914-000 000	11,12	*	CF1-3908-000 000	7
*	CB2-0915-000 000	9	*	CF1-3909-000 000	8
*	CB2-0917-000 000	1	*	CF1-3912-000 000	7
*	CB2-0918-000 000	1	*	CF1-3918-000 000	3
*	CB2-0919-000 000	1	*	CF1-3919-000 000	6
*	CB2-0920-000 000	3	*	CG1-2100-000 000	14
*	CB2-0924-000 000	2	*	CG1-2101-000 000	15
*	CB2-0928-000 000	11,12	*	CG1-2102-000 000	14
*	CB2-0930-000 000	14	*	CG1-2103-000 000	14
*	CB2-0931-000 000	15	*	CG1-2104-000 000	4
*	CB2-0932-000 000	14	*	CG1-2105-000 000	2
*	CB2-0935-000 000	2	*	CG1-2107-000 000	2
*	CB2-0937-000 000	1,3	*	CG1-2108-000 000	1
*	CB2-0938-000 000	1	*	CG1-2109-000 000	11
*	CB2-0943-000 000	1	*	CG1-2110-000 000	11,12
*	CB2-0954-000 000	3	*	CG1-2111-000 000	4
*	CB2-0956-000 000	1	*	CG1-2112-000 000	5
*	CB2-0961-000 000	1	*	CG1-2113-000 000	5

INDEX OF PARTS LIST

REF.No. C12-8451

C12-8453/8454

C12-8456/8457

C12-8463/8464

C12-8466/8467

NEW	PARTS No.	PAGE	NEW	PARTS No.	PAGE
*	CG1-2114-000 000	6	*	CH2-5307-000 000	9
*	CG1-2115-000 000	9		CH4-0504-000 000	8
*	CG1-2116-000 000	4		CH4-0634-000 000	11
*	CG1-2118-000 000	8	*	CH5-0173-000 000	9
*	CG1-2119-000 000	8	*	CH6-0069-000 000	5
*	CG1-2120-000 000	6	*	CH6-2094-000 000	14
*	CG1-2122-000 000	4		CH6-3036-000 000	2
*	CG1-2123-000 000	4	*	CH9-0257-000 000	2
*	CG1-2124-000 000	5		CH9-0258-000 000	2
*	CG1-2127-000 000	5		CH9-0272-000 000	5
*	CG1-2128-000 000	5		CS2-3233-000 000	11,12
*	CG1-2130-000 000	1		CS2-5020-000 000	6
*	CG1-2132-000 000	5		CS2-5085-000 000	1
*	CG1-2133-000 000	4		CS2-5507-000 000	14
*	CG1-2135-000 000	3		CS2-5764-000 000	11,12
*	CG1-2136-000 000	1	*	CS2-5958-000 000	3
*	CG1-2137-000 000	1	*	CS2-5959-000 000	15
*	CG1-2139-000 000	6		CS2-6966-000 000	11,12
*	CG1-2170-000 000	5	*	CS2-7370-000 000	2
*	CG1-2171-000 000	4		CS3-0122-000 000	2
*	CG1-2174-000 000	17	*	CS3-0627-000 000	15
*	CG1-2188-000 000	5	*	CS3-0629-000 000	15
*	CG1-2189-000 000	1	*	CS3-0630-000 000	15
	CG1-3601-000 000	6	*	CS3-0631-000 000	15
*	CG1-6895-000 000	5	*	CS3-0632-000 000	15
	CH1-6665-000 000	3	*	CS3-0633-000 000	15
*	CH1-6887-000 000	5	*	CS3-0634-000 000	15
*	CH1-6893-000 000	14	*	CS3-0636-000 000	7
*	CH1-6894-000 000	2	*	CS3-0637-000 000	7
*	CH1-6897-000 000	11,12	*	CS3-0638-000 000	7
*	CH1-6900-000 000	7	*	CS3-0640-000 000	7
*	CH1-6901-000 000	8	*	CS3-0641-000 000	7
*	CH1-6904-000 000	11	*	CS3-0642-000 000	7
*	CH1-6904-000 000	12	*	CS3-0644-000 000	7
*	CH1-6908-000 000	9	*	CS3-0646-000 000	7
*	CH1-6909-000 000	2	*	CS3-0648-000 000	6
*	CH1-6912-000 000	5	*	CS3-0649-000 000	6
	CH2-5111-000 000	11	*	CS3-0650-000 000	8
	CH2-5140-000 000	1	*	CS3-0652-000 000	8
*	CH2-5305-000 000	11,12	*	CS3-0706-000 000	2

INDEX OF PARTS LIST

REF.No. C12-8451

C12-8453/8454

C12-8456/8457

C12-8463/8464

C12-8466/8467

NEW	PARTS No.	PAGE	NEW	PARTS No.	PAGE
*	CS3-5097-000 000	11,12		XA4-9200-807 000	4
*	CS3-6156-000 000	2		XA4-9200-909 000	4
*	CS3-6157-000 000	2		XD1-1102-120 000	6
*	CS3-6160-000 000	8		XD1-1102-121 000	6
*	CS3-6161-000 000	8		XD1-1102-122 000	6
*	CS3-6162-000 000	8		XD1-1103-614 000	11,12
*	CS3-6163-000 000	15		XD2-1100-102 000	8
*	CS3-6169-000 000	8		XD2-1100-132 000	3
	CY1-1280-000 000	6		XD2-1100-172 000	1,6
	CY3-0005-000 000	17		XD2-1100-502 000	17
	CY3-0025-000 000	17		XG8-1100-581 000	11,12
*	CY3-1269-000 000	1		XG8-1100-602 000	3
*	CY3-1270-000 000	4	*	YN2-9442-000 000	10
	WE8-5148-000 000	4	*	YN2-9520-000 000	6
	X99-0470-000 000	11	*	YN2-9622-000 000	6
	X99-0578-000 000	6	*	YN2-9623-000 000	8
	XA1-3170-507 000	2	*	YN2-9626-000 000	10
	XA1-7140-207 000	7			
	XA1-7170-307 000	2			
	XA1-7170-407 000	11			
	XA1-7170-457 000	15			
	XA4-4140-457 000	13			
*	XA4-6170-257 000	16			
	XA4-6170-307 000	11,12			
	XA4-6170-359 000	8,11,12,16			
*	XA4-8170-459 000	11			
	XA4-9140-307 000	5			
	XA4-9140-309 000	7			
	XA4-9170-257 000	11,12			
	XA4-9170-307 000	2,5,14,15,16			
	XA4-9170-407 000	16			
	XA4-9170-409 000	4,6,11,12			
	XA4-9170-457 000	1,2,3,5,6,7,8,9,14,16			
	XA4-9170-459 000	1			
	XA4-9170-557 000	4			
	XA4-9170-609 000	8			
	XA4-9200-457 000	2,3			
	XA4-9200-507 000	4			
	XA4-9200-557 000	14,16			
	XA4-9200-609 000	4			